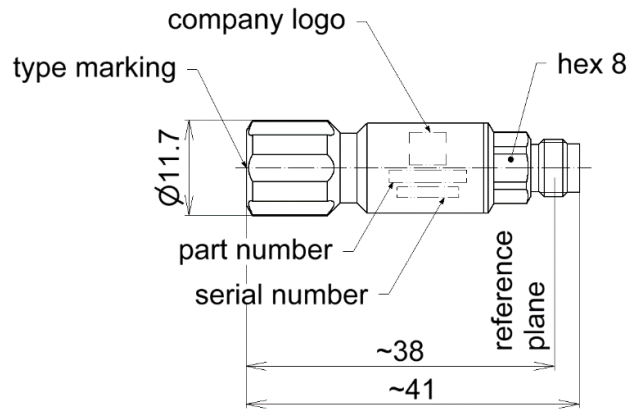


Precision Load || BN 533771R000



all dimensions in millimeter

Radio frequency characteristics

Interface type	2.4 mm socket per IEEE Std 287
Frequency range	DC to 50 GHz
Impedance	50 Ω
DC-Resistance	50 Ω ± 0.5 Ω
Return loss, min.	40 dB @ DC to 4 GHz 34 dB @ 4 to 10 GHz 30 dB @ 10 to 26.5 GHz 24 dB @ 26.5 to 50 GHz
Power rating, max.	0.25 W

Mechanical characteristics

Center conductor material / surface finish	CuBe age hardened / gold-plated
Outer conductor material / surface finish	CuBe, copper alloy / gold-plated
Insulation	PS, cross linked polystyrene
Other metallic parts / surface finish	copper alloy / gold-plated
Weight, approx.	0.02 kg
Marking	laser engraving

Environmental conditions

Operation	
Ambient temperature range	+18 to +28°C
Storage	
Ambient temperature range	-40 to +70°C
Relative humidity	95% (non-condensing)

Scope of delivery and accessories

Scope of delivery	certificate of calibration, handling instructions
-------------------	---