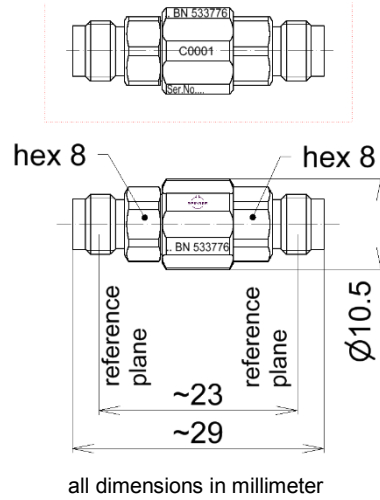


PORT SAVER || BN 533776C0001



**Radio frequency characteristics**

Interface type	2.4 mm socket / socket per IEEE Std 287
Frequency range	DC to 50 GHz
Impedance	50 Ω
Return loss, min.	32 dB @ DC to 4 GHz 30 dB @ 4 to 26.5 GHz 25 dB @ 26.5 to 40 GHz 23 dB @ 40 to 50 GHz

**General mechanical data**

Center conductor material / surface finish	CuBe age hardened / gold-plated
Outer conductor material / surface finish	CuBe / gold-plated
Insulation	PS
Other metallic parts / surface finish	copper alloy / gold plated
Weight, approx.	0.01 kg
Marking	laser engraving

**General environmental conditions**

<b>Operation</b>	
Ambient temperature range	+18 to +28°C
<b>Storage</b>	
Ambient temperature range	-40 to +70°C
Relative humidity, max.	95% (non condensing)

**Delivery**

Packaging	transparent plastic tube
-----------	--------------------------