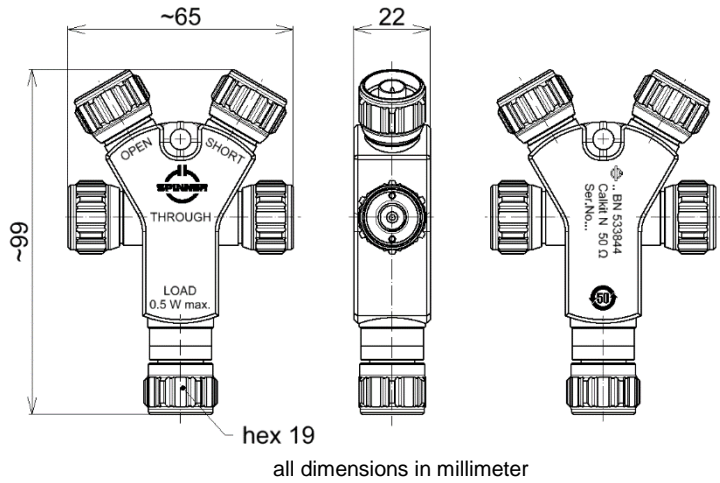


OSLT Compact Calibration Kit (4-in-1) || BN 533844



Radio frequency characteristics

Interface type		N plug per IEC 61169-16
Frequency range		DC to 9 GHz
THROUGH	Return loss, min.	36 dB @ DC to 4 GHz
		31 dB @ 4 to 8 GHz
28 dB @ 8 to 9 GHz		
OPEN	Insertion loss, max.	0.05 dB @ DC to 4 GHz
		0.1 dB @ 4 to 9 GHz
SHORT	Phase deviation, max.	2 deg. @ DC to 4 GHz
		3 deg. @ 4 to 9 GHz
LOAD	DC-resistance	50 Ω ± 0.5 Ω
	Return loss, min.	42 dB @ DC to 6 GHz
		35 dB @ 6 to 9 GHz
Power rating, max.	0.5 W	

SPINNER GmbH
 This document is proprietary to us.
 All rights reserved. Any use, transfer, or reproduction of this document
 or the know-how contained therein requires our express consent.

OSLT Compact Calibration Kit (4-in-1) || BN 533844

Calibration data

Format		Keysight / Anritsu	Rohde & Schwarz
THROUGH	Electrical delay / length	241.167 ps	72.3 mm
OPEN	C0	$-6.4 \times 10^{-15} \text{ F}$	-6.4 fF
	C1	$1444 \times 10^{-27} \text{ F/Hz}$	1.444 fF/GHz
	C2	$13.83 \times 10^{-36} \text{ F/Hz}^2$	$0.01383 \text{ fF}/(\text{GHz})^2$
	C3	$-10.03 \times 10^{-45} \text{ F/Hz}^3$	$-0.01003 \text{ fF}/(\text{GHz})^3$
	Offset	53.637 ps	16.08 mm
SHORT	L0	$20 \times 10^{-12} \text{ H}$	20 pH
	L1	$-5842 \times 10^{-24} \text{ H/Hz}$	-5.842 pH/GHz
	L2	$416 \times 10^{-33} \text{ H/Hz}^2$	$0.416 \text{ pH}/(\text{GHz})^2$
	L3	$0 \times 10^{-42} \text{ H/Hz}^3$	$0 \text{ pH}/(\text{GHz})^3$
	Offset	53.504 ps	16.04 mm
Offset Loss		0.82 GΩ/s	

Mechanical characteristics

Center conductor material / surface finish	CuBe age hardened, copper alloy / gold-plated
Outer conductor material / surface finish	copper alloy / CuSnZn-plated
Insulation	cross linked polystyrene, PMP, PTFE
Other metallic parts / surface finish	copper alloy / CuSnZn-plated aluminium / anodised (blue)
Weight, approx.	0.25 kg
Marking	laser engraving

Component Name	Toxic or Hazardous Substances and Elements					
	Pb	Hg	Cd	Cr 6+	PBB	PBDE
Metal parts	X	O	O	O	O	O

The environmental protection use period of 50 years is valid, if the product is used as intended.

Environmental conditions

Operation	
Ambient temperature range	-10 to +55°C
Storage	
Ambient temperature range	-40 to +70°C (in line with EN 60068-2-1 and EN 60068-2-2)

Scope of delivery and accessories

Scope of delivery	calibration certificate, protective caps, protective bag, data sheet, handling instructions
-------------------	---