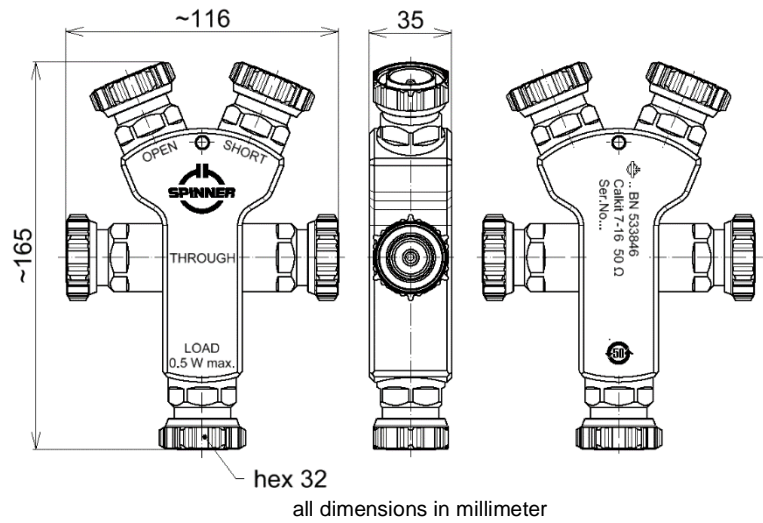


OSLT Compact Calibration Kit (4-in-1) || BN 533846



Radio frequency characteristics

Interface type		7-16 plug per IEC 61169-4
Frequency range		DC to 6 GHz
THROUGH	Return loss, min.	34 dB @ DC to 6 GHz
	Insertion loss, max.	0.1 dB @ DC to 6 GHz
OPEN	Phase deviation, max.	1.5 deg. @ DC to 6 GHz
SHORT	Phase deviation, max.	1 deg. @ DC to 6 GHz
LOAD	DC-resistance	50 Ω ± 0.5 Ω
	Return loss, min.	40 dB @ DC to 6 GHz
	Power rating, max.	0.5 W

Calibration data

Format		Keysight / Anritsu	Rohde & Schwarz
THROUGH	Electrical delay / length	375.627 ps	112.61 mm
OPEN	C0	-10.7 x 10 <sup>-15</sup> F	-10.7 fF
	C1	4767 x 10 <sup>-27</sup> F/Hz	4.767 fF/GHz
	C2	-1382 x 10 <sup>-36</sup> F/Hz <sup>2</sup>	-1.382 fF/(GHz) <sup>2</sup>
	C3	161.3 x 10 <sup>-45</sup> F/Hz <sup>3</sup>	0.1613 fF/(GHz) <sup>3</sup>
	Offset	89.195 ps	26.74 mm
SHORT	L0	-3.46 x 10 <sup>-12</sup> H	-3.46 pH
	L1	-1608 x 10 <sup>-24</sup> H/Hz	-1.608 pH/GHz
	L2	2190 x 10 <sup>-33</sup> H/Hz <sup>2</sup>	2.19 pH/(GHz) <sup>2</sup>
	L3	-270 x 10 <sup>-42</sup> H/Hz <sup>3</sup>	-0.27 pH/(GHz) <sup>3</sup>
	Offset	88.761 ps	26.61 mm
Offset Loss		0.5 GΩ/s	

SPINNER GmbH  
 This document is proprietary to us.  
 All rights reserved. Any use, transfer, or reproduction of this document  
 or the know-how contained therein requires our express consent.

OSLT Compact Calibration Kit (4-in-1) || BN 533846

**Mechanical characteristics**

Center conductor material / surface finish	CuBe age hardened, copper alloy / gold-plated
Outer conductor material / surface finish	copper alloy / CuSnZn-plated
Insulation	cross linked polystyrene
Other metallic parts / surface finish	copper alloy / CuSnZn-plated aluminium / anodised (blue)
Weight, approx.	0.9 kg
Marking	laser engraving

Component Name	Toxic or Hazardous Substances and Elements					
	Pb	Hg	Cd	Cr 6+	PBB	PBDE
Metal parts	X	O	O	O	O	O

The environmental protection use period of 50 years is valid, if the product is used as intended.

**Environmental conditions**

<b>Operation</b>	
Ambient temperature range	-10 to +55°C
<b>Storage</b>	
Ambient temperature range	-40 to +70°C (in line with EN 60068-2-1 and EN 60068-2-2)

**Scope of delivery and accessories**

Scope of delivery	calibration certificate, protective caps, protective bag, data sheet, handling instructions
-------------------	---

SPINNER GmbH  
 This document is proprietary to us.  
 All rights reserved. Any use, transfer, or reproduction of this document  
 or the know-how contained therein requires our express consent.