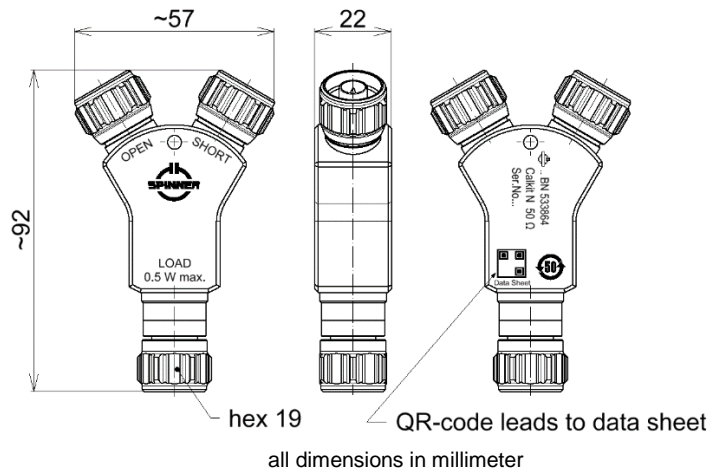


OSL Compact Calibration Kit (3-in-1) || BN 533864R000



Radio frequency characteristics

Interface type		N plug per IEC 61169-16
Frequency range		DC to 7.5 GHz
OPEN	Phase deviation, max.	2 deg. @ DC to 4 GHz
		3 deg. @ 4 to 7.5 GHz
SHORT	Phase deviation, max.	1.25 deg. @ DC to 7.5 GHz
LOAD	DC-resistance	50 Ω ± 0.5 Ω
	Phase deviation, max.	42 dB @ DC to 6 GHz
		35 dB @ 6 to 7.5 GHz
Power rating, max.		0.5 W

Calibration data

Format		Keysight (former Agilent) / Anritsu	Rohde & Schwarz
OPEN	C0	-6.4 x 10 <sup>-15</sup> F	-6.4 fF
	C1	1444 x 10 <sup>-27</sup> F/Hz	1.444 fF/GHz
	C2	13.83 x 10 <sup>-36</sup> F/Hz <sup>2</sup>	0.01383 fF/(GHz) <sup>2</sup>
	C3	-10.03 x 10 <sup>-45</sup> F/Hz <sup>3</sup>	-0.01003 fF/(GHz) <sup>3</sup>
	Offset	53.637 ps	16.08 mm
SHORT	L0	20 x 10 <sup>-12</sup> H	20 pH
	L1	-5842 x 10 <sup>-24</sup> H/Hz	-5.842 pH/GHz
	L2	416 x 10 <sup>-33</sup> H/Hz <sup>2</sup>	0.416 pH/(GHz) <sup>2</sup>
	L3	0 x 10 <sup>-42</sup> H/Hz <sup>3</sup>	0 pH/(GHz) <sup>3</sup>
	Offset	53.504 ps	16.04 mm
Offset loss		0.82 GΩ/s	

SPINNER GmbH  
 This document is proprietary to us.  
 All rights reserved. Any use, transfer, or reproduction of this document  
 or the know-how contained therein requires our express consent.

OSL Compact Calibration Kit (3-in-1) || BN 533864R000

**Mechanical characteristics**

Center conductor material / surface finish	CuBe age hardened, copper alloy / gold-plated
Outer conductor material / surface finish	copper alloy / CuSnZn-plated
Insulation	PMP, PTFE
Other metallic parts / surface finish	copper alloy / CuSnZn-plated aluminium / anodised (blue)
Weight, approx.	180 g
Marking	laser engraving

Component Name	Toxic or Hazardous Substances and Elements					
	Pb	Hg	Cd	Cr 6+	PBB	PBDE
Metal parts	X	O	O	O	O	O

The environmental protection use period of 50 years is valid, if the product is used as intended.

**Environmental conditions**

<b>Operation</b>	
Ambient temperature range	-10 to +55°C
<b>Storage</b>	
Ambient temperature range	-40 to +70°C (in line with EN 60068-2-1 and EN 60068-2-2)

**Scope of delivery and accessories**

Scope of delivery	protective caps, handling instructions
-------------------	--

SPINNER GmbH  
 This document is proprietary to us.  
 All rights reserved. Any use, transfer, or reproduction of this document  
 or the know-how contained therein requires our express consent.