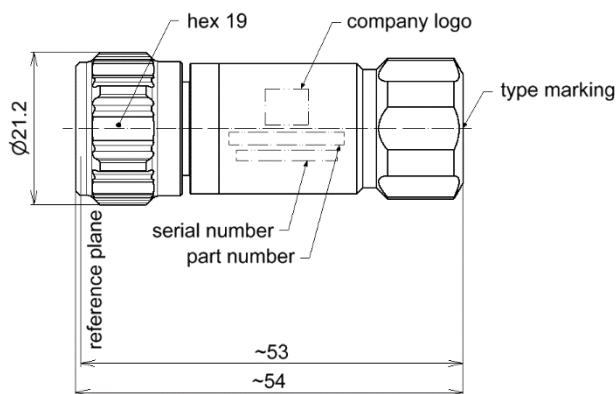


## Matched load; precision, N plug | BN 533910R000



all dimensions in millimeter

### Radio frequency characteristics

Interface type	N plug per IEC 61169-16
Frequency range	DC to 18 GHz
Characteristic impedance	50 $\Omega$
DC-resistance	50 $\Omega \pm 0.5 \Omega$
Average power rating	0.5 W
Return loss, min	42 dB @ DC to 6 GHz
	38 dB @ 6 to 8 GHz
	35 dB @ 8 to 12 GHz
	33 dB @ 12 to 18 GHz

### Mechanical characteristics

Inner conductor material / surface coating	CuBe age hardened / gold-plated
Outer conductor material / surface coating	copper alloy / gold-plated
Dielectric material	PMP
Other parts material / surface coating	copper alloy / nickel-plated
Weight, approx.	0.2 kg
Marking	laser engraving

### Environmental conditions

<b>Operation</b>	
Ambient temperature range	+18 to +28°C
Relative humidity, max.	95% (non-condensing)
<b>Storage</b>	
Ambient temperature range	-40 to +70°C
Relative humidity, max.	95% (non-condensing)

### Scope of delivery and accessories

Scope of delivery	certificate of calibration, protective tube, handling instructions
-------------------	--

SPINNER GmbH  
 This document is proprietary to us.  
 All rights reserved. Any use, transfer, or reproduction of this document  
 or the know-how contained therein requires our express consent.

Template Normal.dotm | Issue AB