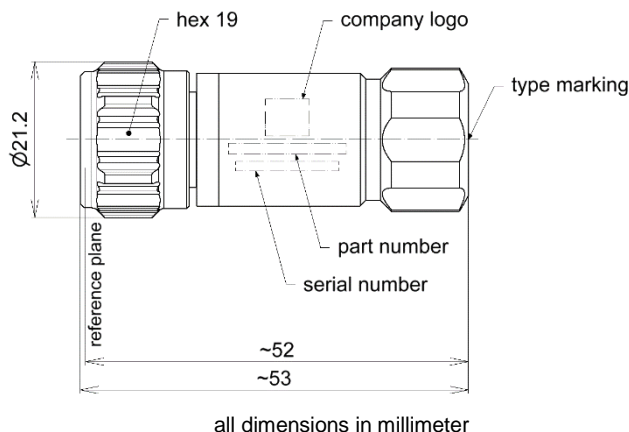


Open circuit termination; N plug | BN 533914R000



Radio frequency characteristics ¹⁾

| | |
|--------------------------------|---|
| Interface type | N plug per IEC 61169-16 |
| Frequency range | DC to 18 GHz |
| Characteristic impedance | 50 Ω |
| Reflection phase accuracy, min | 1 deg @ DC to 4 GHz 1.25 deg @ 4 to 8 GHz 1.5 deg @ 8 to 12 GHz 2 deg @ 12 to 18 GHz |

Mechanical characteristics

| | |
|--|---------------------------------|
| Inner conductor material / surface coating | CuBe age hardened / gold-plated |
| Outer conductor material / surface coating | copper alloy / gold-plated |
| Other parts material / surface coating | copper alloy / nickel-plated |
| Dielectric material | PMP |
| Weight, approx. | 0.08 kg |
| Marking | laser engraving |

Environmental conditions

| | |
|---------------------------|----------------------|
| Operation | |
| Ambient temperature range | +18 to +28°C |
| Relative humidity, max. | 95% (non-condensing) |
| Storage | |
| Ambient temperature range | -40 to +70°C |
| Relative humidity, max. | 95% (non-condensing) |

Scope of delivery and accessories

| | |
|-------------------|--|
| Scope of delivery | certificate of calibration, calibration data, protective tube, handling instructions |
|-------------------|--|

¹⁾ The specifications for the open are given as allowed deviation from the nominal model as defined in the calibration data. Calibration data in formats for the common VNAs are included in the delivery. It includes offset length and individual calibration coefficients to achieve the best possible performance.

SPINNER GmbH
 This document is proprietary to us.
 All rights reserved. Any use, transfer, or reproduction of this document
 or the know-how contained therein requires our express consent.

Template TD-00002.dotx | Issue AB