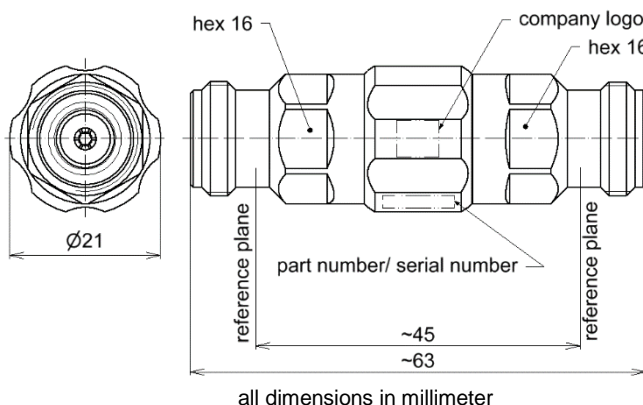


Adapter; precision; N socket - socket | BN 533917R000



Radio frequency characteristics ¹⁾

Interface type	N socket - socket per IEC 61169-16
Frequency range	DC to 18 GHz
Characteristic impedance	50 Ω
Reflection phase accuracy, min	38 dB @ DC to 4 GHz
	34 dB @ 4 to 8 GHz
	32 dB @ 8 to 12 GHz
	28 dB @ 12 to 18 GHz
Insertion loss, max.	0.04 dB x $\sqrt{f \text{ (GHz)}}$

Mechanical characteristics

Inner conductor material / surface coating	CuBe age hardened / gold-plated
Outer conductor material / surface coating	copper alloy / gold-plated
Dielectric material	PMP
Weight, approx.	0.08 kg
Marking	laser engraving

Environmental conditions

Operation	
Ambient temperature range	+18 to +28°C
Relative humidity, max.	95% (non-condensing)
Storage	
Ambient temperature range	-40 to +70°C
Relative humidity, max.	95% (non-condensing)

Scope of delivery and accessories

Scope of delivery	certificate of calibration, calibration data, protective tube, handling instructions
-------------------	--

SPINNER GmbH
 This document is proprietary to us.
 All rights reserved. Any use, transfer, or reproduction of this document
 or the know-how contained therein requires our express consent.

Template TD-00002.dotx | Issue AB