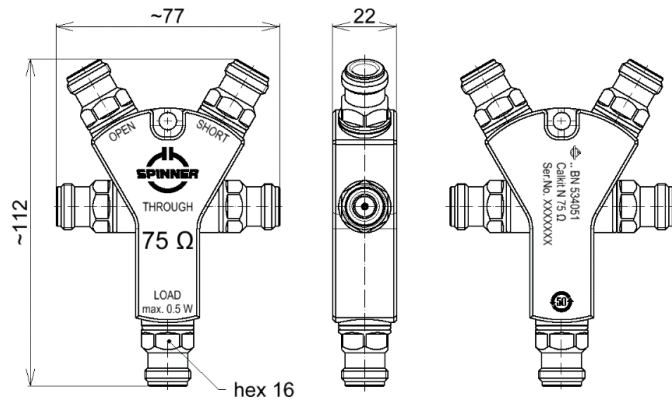


Calibration kit OSLT; compact 4 in 1; N socket (75 ohms) | BN 534051



all dimensions in millimeter

Radio frequency characteristics

Interface type		N socket per IEC 61169-16
Frequency range		DC to 20 GHz
Characteristic impedance		75 Ω
TROUGH	Return loss, min.	35 dB @ DC to 4 GHz 31 dB @ 4 to 8 GHz 28 dB @ 8 to 12 GHz 23 dB @ 12 to 20 GHz
	Insertion loss, max.	0.06 dB x √f (GHz)
OPEN	Phase deviation, max.	1.5 deg. @ DC to 4 GHz 2.5 deg. @ 4 to 8 GHz 4.5 deg. @ 8 to 12 GHz 5.0 deg. @ 12 to 20 GHz
	Phase deviation, max.	1.0 deg. @ DC to 4 GHz 2.0 deg. @ 4 to 8 GHz 3.5 deg. @ 8 to 12 GHz 4.5 deg. @ 12 to 20 GHz
LOAD	DC-resistance	75 Ω ± 0.75 Ω
	Return loss, min.	38 dB @ DC to 4 GHz 34 dB @ 4 to 8 GHz 30 dB @ 8 to 12 GHz 25 dB @ 12 to 20 GHz
Power rating, max.		0.5 W

SPINNER GmbH
 This document is proprietary to us.
 All rights reserved. Any use, transfer, or reproduction of this document
 or the know-how contained therein requires our express consent.

Calibration kit OSLT; compact 4 in 1; N socket (75 ohms) | BN 534051

Calibration data

Format		Keysight (former Agilent) / Anritsu	Rohde & Schwarz
THROUGH	Electrical delay / length	201.9 ps	60.53 mm
OPEN	C0	$-1 \times 10^{-15} \text{ F}$	-1 fF
	C1	$400 \times 10^{-27} \text{ F/Hz}$	0.4 fF/GHz
	C2	$-40 \times 10^{-36} \text{ F/Hz}^2$	$-0.04 \text{ fF}/(\text{GHz})^2$
	C3	$2 \times 10^{-45} \text{ F/Hz}^3$	$0.002 \text{ fF}/(\text{GHz})^3$
	Offset	50.535 ps	15.15 mm
SHORT	L0	$10 \times 10^{-12} \text{ H}$	10 pH
	L1	$3000 \times 10^{-24} \text{ H/Hz}$	3 pH/GHz
	L2	$-370 \times 10^{-33} \text{ H/Hz}^2$	$-0.37 \text{ pH}/(\text{GHz})^2$
	L3	$12 \times 10^{-42} \text{ H/Hz}^3$	$0.012 \text{ pH}/(\text{GHz})^3$
	Offset	50.535 ps	15.15 mm
Offset Loss		1.1 GΩ/s	

Mechanical characteristics

Inner conductor material / surface coating	CuBe age hardened / gold-plated copper alloy / gold-plated
Outer conductor material / surface coating	copper alloy / gold-plated
Dielectric material	cross linked polystyrene, PS
Other parts material / surface coating	aluminium / anodized (blue)
Weight, approx.	0.05 kg
Marking	laser engraving

Component Name	Toxic or Hazardous Substances and Elements					
	Pb	Hg	Cd	Cr 6+	PBB	PBDE
Metal parts	X	O	O	O	O	O

The environmental protection use period of 50 years is valid, if the product is used as intended.

Environmental conditions

Operation	
Ambient temperature range	+18 to +28°C
Relative humidity, max.	95% (non-condensing)
Storage	
Ambient temperature range	-40 to +70°C (in line with EN 60068-2-1 and EN 60068-2-2)
Relative humidity, max.	95% (non-condensing)

Scope of delivery and accessories

Scope of delivery	certificate of calibration, protective caps, protective bag, data sheet, handling instructions
-------------------	------------------------------------------------------------------------------------------------