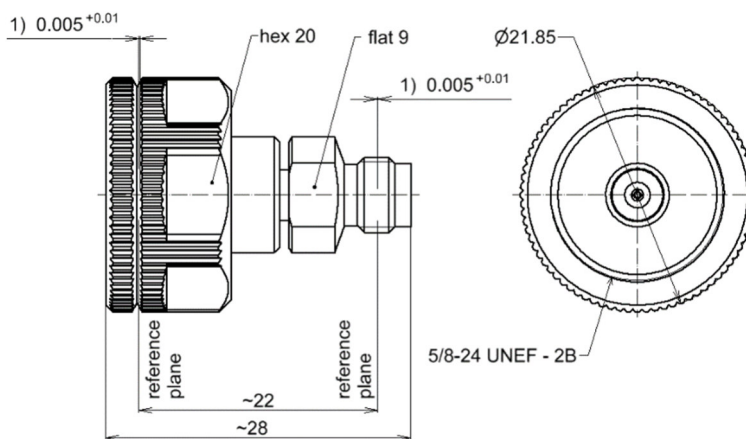


Precision Adapter || BN 535117



1) Pin depth (inner conductor recessed)

all dimensions in millimeter

Radio frequency characteristics

Interface type	2.4 mm socket, ruggedized by enlarged thread / 2.4 mm socket per IEEE Std 287
Frequency range	DC to 50 GHz
Impedance	50 Ω
Return loss, min.	32 dB @ DC to 4 GHz 30 dB @ 4 to 10 GHz 25 dB @ 10 to 26.5 GHz 23 dB @ 26.5 to 40 GHz 20 dB @ 40 to 50 GHz

Mechanical characteristics

Inner conductor material / surface finish	beryllium copper, age hardened / gold-plated
Outer conductor material / surface finish	beryllium copper / gold-plated
Weight, approx.	0.04 kg
Marking	laser engraving

Environmental conditions

Operation	
Ambient temperature range	+18 to +28°C
Storage	
Ambient temperature range	-40 to +70°C
Relative humidity	95% (non-condensing)

Scope of delivery and accessories

Scope of delivery	protective caps
-------------------	-----------------

This document is proprietary to us. All rights reserved. Any use, transfer, or reproduction of this document or the know-how contained therein requires our express consent.

SPINNER GmbH
 Template TD-00002Y