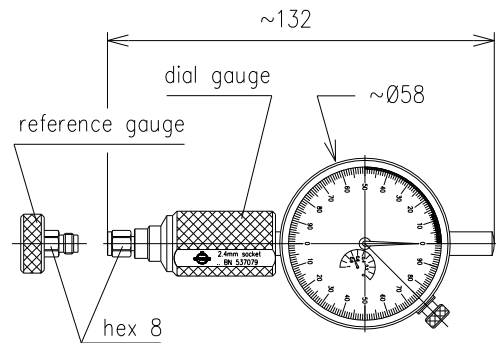


DIAL GAUGE



Part number	BN 53 70 79	
Connector type	2.4 mm socket	
Standards	IEEE Std 287	
Range of tolerance	LPC	GPC
	0 - 0.013 mm	0 - 0.05 mm
Mechanical data		
Gauge range	1 mm	
Scale gradation	0.001 mm	
Measurement accuracy	0.003 mm	
Material		
Dial gauge	stainless steel	
Temperature range	+18 °C - +28 °C	
Weight	approx. 0.29 kg	
Handling instructions	M31067	
Included in delivery	certificate of calibration, storage box	