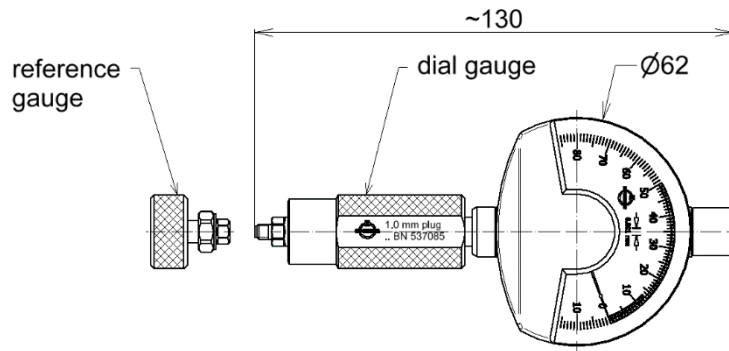


Dial gauge; 1.0 mm plug | BN 537085



all dimensions in millimeter

Device under test characteristics

Interface type	1.0 mm plug per IEC 61169-31	
Connector grade	Grade 0	Grade 1
Pin depth range	0 to 13 µm	0 to 50 µm
Pin depth tolerance	13 µm	50 µm

Dial gauge characteristics

Dial range	100 µm (85 µm recess to 15 µm protrusion)
Scale division	1 µm
Tolerance markings	colored dial segments for the two devices under test listed above
Measurement error, max.	3 µm ¹⁾
Measuring force, approx.	0.5 N
Material of the touchable metal parts	stainless steel
Weight, approx.	300 g
Marking	laser engraving
Handling instructions	38794A

¹⁾ Conditions: Follow the handling instructions to achieve the lowest possible error.

Environmental conditions

Operation	
Ambient temperature range	+18 to +28°C
Storage	
Ambient temperature range	-30 to +50°C

Scope of delivery and accessories

Scope of delivery	dial gauge, reference gauge, storage box, handling instructions, factory calibration certificate
-------------------	--

Recalibration

Suggestions for recalibrating the dial gauge can be found in the handling instructions.