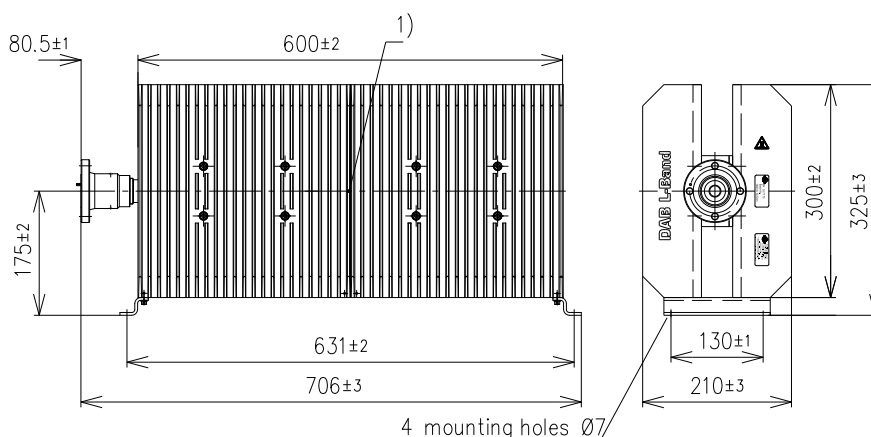


COAXIAL LOAD



Part number	BN 53 77 79			
Connector type	1 5/8" EIA			
Power rating	1600 Watt max. 2)			
Impedance	50 Ω			
Frequency range	0 - 860 MHz	1452 MHz - 1492 MHz	2904 MHz- 2984 MHz	4356 MHz - 4476 MHz
VSWR	≤ 1.15	≤ 1.1	≤ 1.9	≤ 1.9
Material and surface				
Inner conductor	copper alloy		silver-plated	
Outer conductor	copper alloy		silver-plated	
Housing	aluminium alloy			
Other metal parts	aluminium alloy stainless steel copper alloy		bright nickel-plated	
Insulation	PTFE			
Heat sink	aluminium alloy		anodised (black)	
Degree of protection	IP40			
Standards	IEC 60339			
Ambient temperature	-40 °C - +40 °C full power 2)			
Weight	approx. 32 kg			
Operating position	Cooling fins vertically			

1) Measuring point for surface temperature, see graph

2) The maximum power handling is reduced with rising ambient temperatures as follows

COAXIAL LOAD

