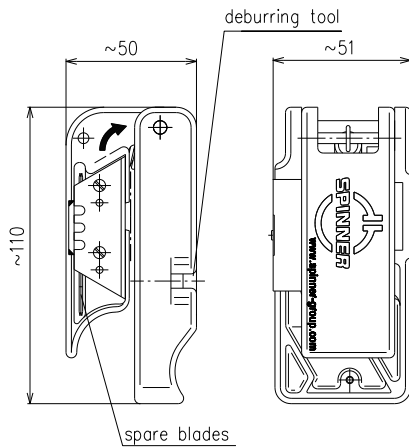


TRIMMING TOOL FOR SF 3/8"-50



Part number	BN 54 13 35	
Cable type	SF 3/8"-50	
Connector type	CAF®	
Material		
Upper and lower part	polycarbonate with 20% GF	
Blades	steel age hardened	
Springs and pins	stainless steel	
Colour	red (similar RAL 3000)	
Cable compatibility	RFS	SCF 38-50
Installation instructions	M32023	
Weight	approx. 0.2 kg	
Included in delivery	spare blades, installation instructions	