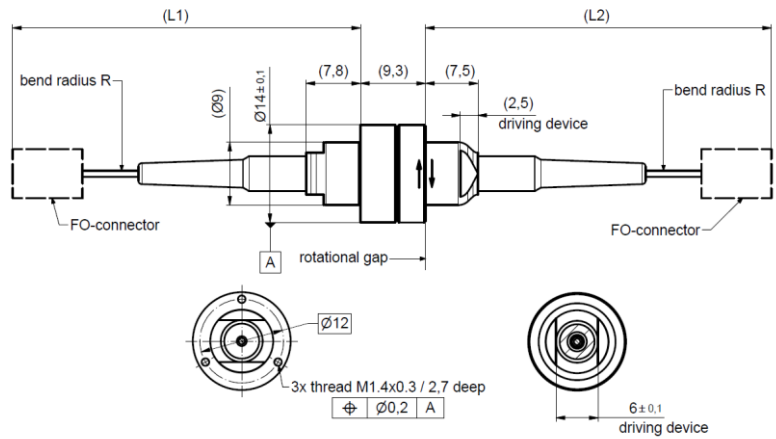


Rotary Joint || BN 549384C0100



all dimensions in millimeter

Fiber optic channel characteristics

Channels	1 CH	
Channel designation	1	
FO connector / material	FC-PC / ceramic	
Fiber type	Multimode G50 / 125 µm / 900 µm buffer	
Fiber length (L1 / L2)	4500 ±150 mm / 4500 ±150 mm	
Long term bend radius, min. (R)	30 mm	
Wavelength	850 nm	1300 nm
Average power capability, max.	10 mW / 10 dBm	
Insertion loss, max.	2.5 dB	1.5 dB
Insertion loss variation over rotation, max.	1.0 dB	

Rotary Joint || BN 549384C0100

Mechanical characteristics

Rotating speed, max. / nominal	3000 rpm / 2000 rpm
Life, min.	200 x 10 ⁶ revolutions
Torque (room temperature), max.	0.06 Nm @ rotation
Interface loads, max.	no loads allowed
Case material	copper alloy, corrosion resistant
Case surface finish	no finish
IP protection level	IP54 per EN 60529 (all interfaces connected with appropriate gaskets)
Weight, approx.	0.02 kg
Marking	laser engraving

Environmental conditions

Operation	
Ambient temperature range	-40 °C to +85 °C
Relative humidity, max.	95% (non-condensing)
Storage	
Ambient temperature range	-40 °C to +85 °C
Relative humidity, max.	95% (non-condensing)

Applicable documents

Technical information	"Rotary Joints – Glossary", Technical Document TD-00021, Spinner GmbH
-----------------------	---