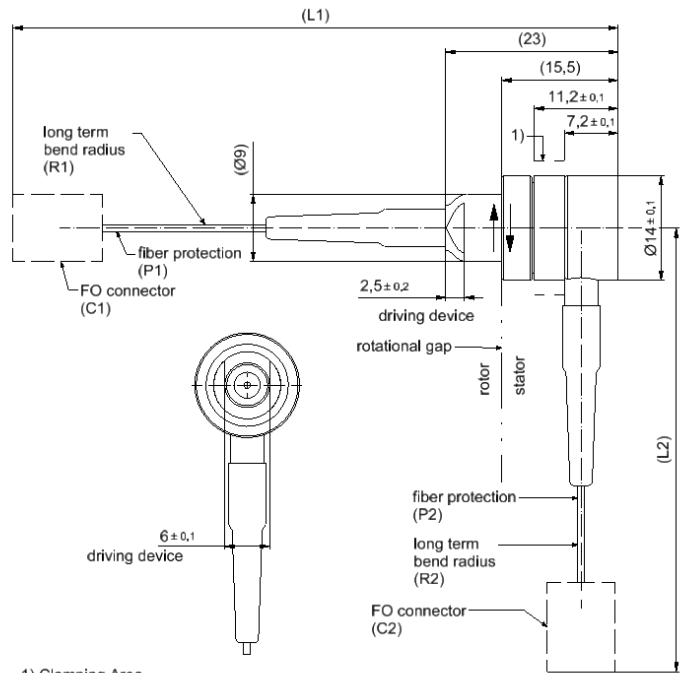
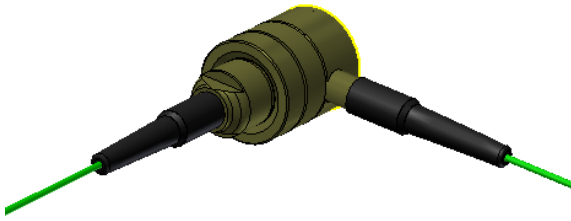


Rotary Joint || BN 549391C0100



1) Clamping Area

all dimensions in millimeter

Fiber optic channel characteristics

Channels	1 CH	
Channel designation	1	
Fiber type	Singlemode E9 / 125 µm	
Side	Rotor	Stator
FO connector (C1 / C2)	LC-APC	LC-APC
Fiber protection (P1 / P2)	900 µm buffer	900 µm buffer
Fiber length (L1 / L2)	1500 ±100 mm	1500 ±100 mm
Long term bend radius, min. (R1 / R2)	30 mm	30 mm
Wavelength	1310 nm / 1550 nm	
Average power capability, max.	200 mW / 23 dBm	
Return loss, min. / typ.	50 dB / 55 dB	
Insertion loss, max./ typ.	3.0 dB / 2.0 dB	
Insertion loss variation over rotation, max.	1.0 dB	

SPINNER GmbH
 This document is proprietary to us.
 All rights reserved. Any use, transfer, or reproduction of this document
 or the know-how contained therein requires our express consent.

Template TD-00002U

Rotary Joint || BN 549391C0100

Mechanical characteristics

Rotating speed rotor, max. / nominal	3000 rpm / 2000 rpm
Rotating speed stator, max. / nominal	150 rpm / 100 rpm
Life, min.	200 x 10 ⁶ revolutions
Torque (room temperature), max.	0.06 Nm @ rotation
Interface loads, max.	no loads allowed
Case material	copper alloy, corrosion resistant
Case surface finish	no finish
IP protection level	IP54 per EN 60529 (all interfaces connected with appropriate gaskets)
Weight, approx.	0.06 kg
Marking	laser engraving (SPINNER logo)

Environmental conditions

Operation	
Ambient temperature range	-40 °C to +85 °C
Relative humidity, max.	95% (non-condensing)
Storage	
Ambient temperature range	-40 °C to +85 °C
Relative humidity, max.	95% (non-condensing)

Applicable documents

Technical information	"Rotary Joints – Glossary", Technical Document TD-00021, Spinner GmbH
-----------------------	---

SPINNER GmbH
 This document is proprietary to us.
 All rights reserved. Any use, transfer, or reproduction of this document
 or the know-how contained therein requires our express consent.

Template TD-00002U