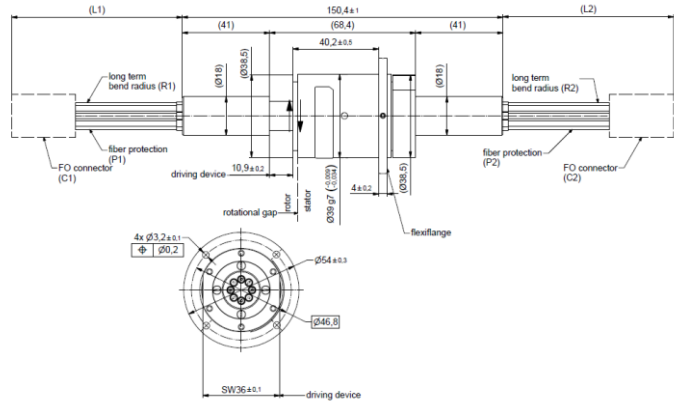
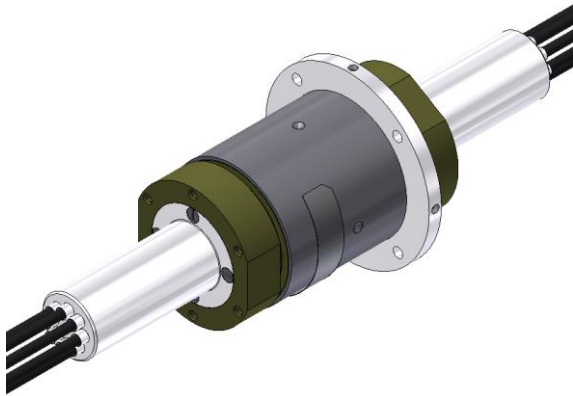


Rotary Joint || BN 549593C0801



all dimensions in millimeter

Fiber optic channel characteristics

Channels	8 CH	
Channel designation	1 to 8	
Fiber type	Multimode G50 / 125 µm	
Side	Rotor	Stator
FO connector (C1 / C2)	LC/PC	LC/PC
Fiber protection (P1 / P2)	cable 3 mm	cable 3 mm
Fiber length (L1 / L2)	1000 ±150 mm	1000 ±150 mm
Long term bend radius, min. (R1 / R2)	30 mm	30 mm
Wavelength	850 nm / 1300 nm	
Average power capability, max.	10 mW / 10 dBm	
Insertion loss, max.	4.5 dB	
Insertion loss variation over rotation, max.	1.5 dB	
Cross talk attenuation, min.	50 dB (between all channels)	

This document is proprietary to us. All rights reserved. Any use, transfer, or reproduction of this document or the know-how contained therein requires our express consent.

SPINNER GmbH
 Template TD-00002U

Rotary Joint || BN 549593C0801

Mechanical characteristics

Rotating speed, max. / nominal	150 rpm / 100 rpm
Life, min.	200 x 10 ⁶ revolutions
Torque (room temperature), max.	0.15 Nm @ rotation
Interface loads, max.	±0.4 Nm bending moment
Case material	stainless steel, copper alloy, aluminum alloy, corrosion resistant
Case surface finish	no finish
IP protection level	IP65 per EN 60529 (all interfaces connected with appropriate gaskets)
Weight, approx.	0.7 kg
Marking	adhesive label (SPINNER logo)

Environmental conditions

Operation	
Ambient temperature range	-40 °C to +85 °C
Relative humidity, max.	99%
Storage	
Ambient temperature range	-40 °C to +85 °C
Relative humidity, max.	99%

Applicable documents

Technical information	"Rotary Joints – Glossary", Technical Document TD-00021, Spinner GmbH
-----------------------	---

SPINNER GmbH | This document is proprietary to us. All rights reserved. Any use, transfer, or reproduction of this document or the know-how contained therein requires our express consent.

Template TD-00002U