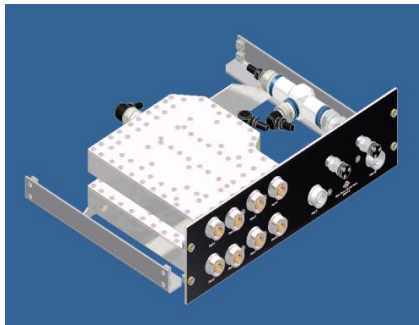
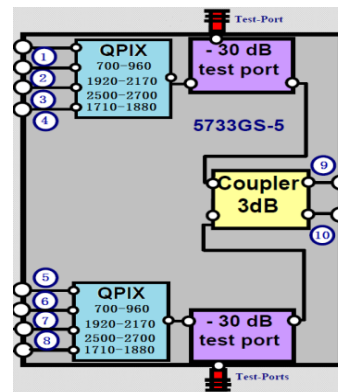


QUADRUPLER UNIT

For combination of GSM900, GSM1800, UMTS, and LTE2.6 signals



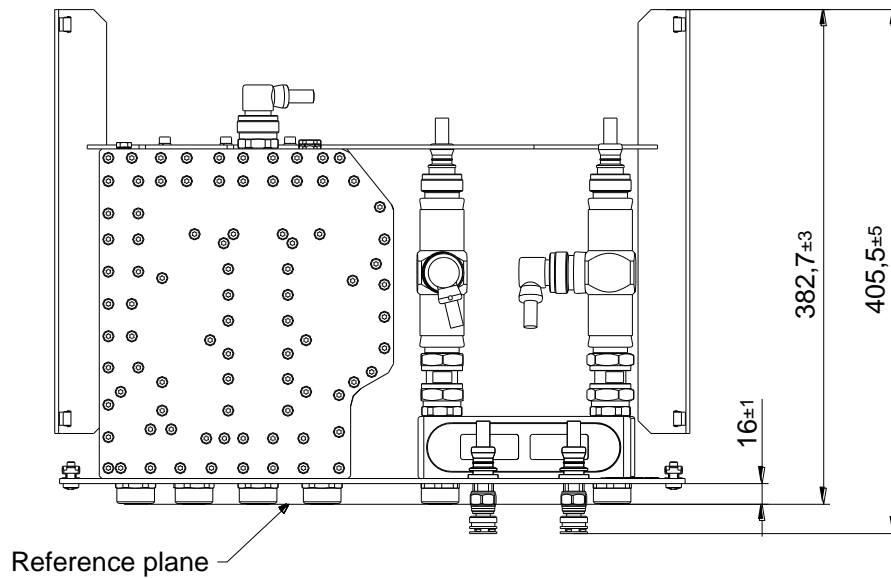
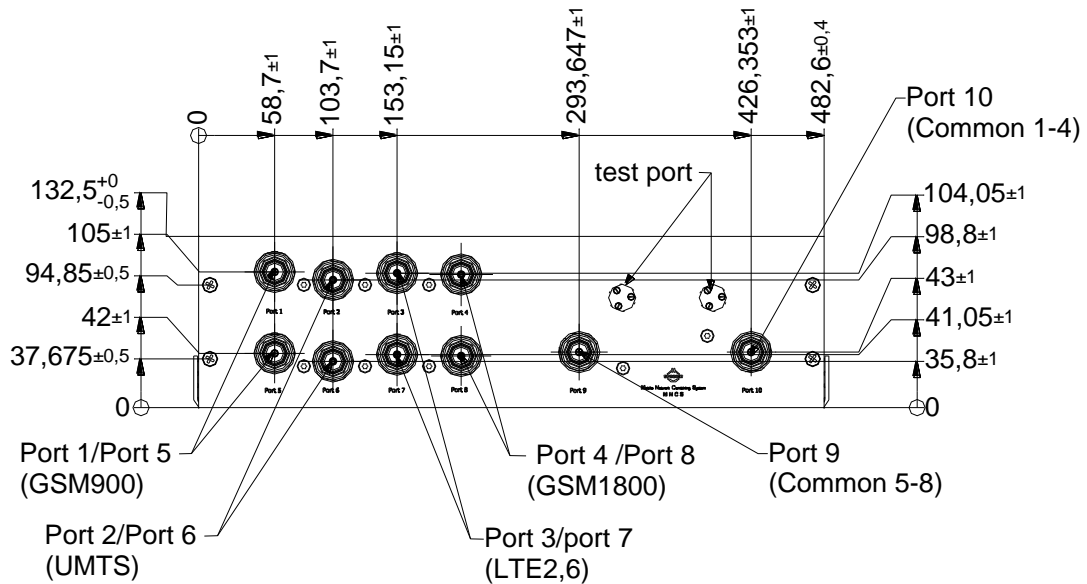
not binding



block diagram

Part number		BN 570463
Consisting of		2pcs. Quadruplexer (BN 570588) 2pcs. Power splitter (BN 818249) 1pcs. 3dB Coupler (BN 753355)
Connectors		7-16 female (50 Ohms)
Frequency range	Port 1 and 5:	GSM900 880 - 960 MHz
	Port 2 and 6:	UMTS 1920 - 2170 MHz
	Port 3 and 7:	LTE2.6 2500 - 2700 MHz
	Port 4 and 8:	GSM1800 1710 - 1880 MHz
	Port 9 and 10:	Common Output
Insertion loss	Port 1 or 5 → Port 9 or Port 10	≤ 3.8 dB
	Port 2 or 6 → Port 9 or Port 10	≤ 4.1 dB
	Port 3 or 7 → Port 9 or Port 10	≤ 3.9 dB
	Port 4 or 8 → Port 9 or Port 10	≤ 4.0 dB
Isolation	Intraband (G9↔G9/G18↔G18/UMTS↔UMTS/ LTE↔LTE)	≥ 30 dB
	Interband	≥ 50 dB (typ. 80dB)
VSWR		≤ 1.3 (typ. 1.25)
IM – value (3rd order @ 2 x 20 W)		≤ -155 dBc typical: ≤ -160dBc
Power rating		100 W per Port
Degree of protection		IP 20
Environmental conditions		ETSI EN 300019-1-1 Class 1.2 ETSI EN 300019-1-2 Class 2.3 ETSI EN 300019-1-4 Class 3.3
Weight		13 kg
Wall / Mast mounting		part of delivery
Temperature range		- 40°C – + 60°C

Dimensions:



Standard:

7-16 female (50 ohms): CECC 22190, IEC 61169-4

modifications reserved