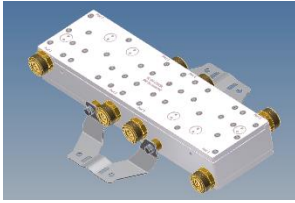
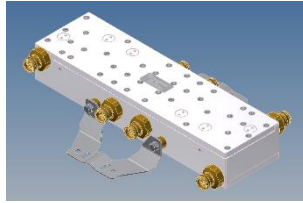


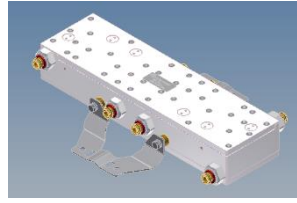
4-Way Combiner 694-2700 MHz



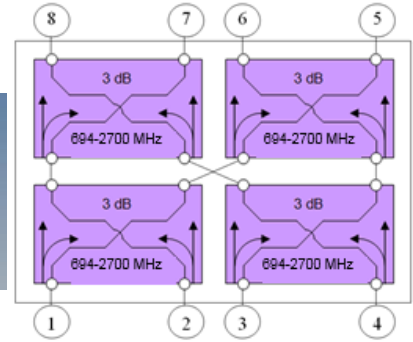
BN 570538



BN 570634



BN 570657



block diagram

Electrical characteristics

Part number	BN 570538	BN 570634	BN 570657
Port 1 - 4 Port 5 - 8	Inputs Outputs		
Frequency range	694 - 2700 MHz		
Insertion loss (Including nominal 6 dB splitting losses) 694 - 800 MHz 800 - 2700 MHz	6.1 dB ± 0.9 dB 6.1 dB ± 0.6 dB		
Isolation	≥ 30 dB typ. 32 dB		
VSWR 694 - 2500 MHz 2500 - 2700 MHz	≤ 1.10 ≤ 1.12		
Impedance	50 Ohm		
Special feature	DC path Port 1 → Port 5, Port 2 → Port 7 DC path Port 3 → Port 6, Port 4 → Port 8 (max. 6.5 A AISG2 conform)		
Test voltage	500 V		
Passive intermodulation (IM3), 3rd order @ 2 x 20W	-160 dBc max. / -165 dBc typ.		-155 dBc max. / -160 dBc typ.
Power Rating	500W (CW) max. per port		250W (CW) max. per port

Mechanical characteristics

Connectors	7-16 socket (50 Ohms)	4.3-10 socket (50 Ohms)	N socket (50 Ohms)
Dimensions, approx.	See drawing		
Weight, approx.	5.5 kg		
Wall / Mast mounting	Part of delivery		

Environmental conditions

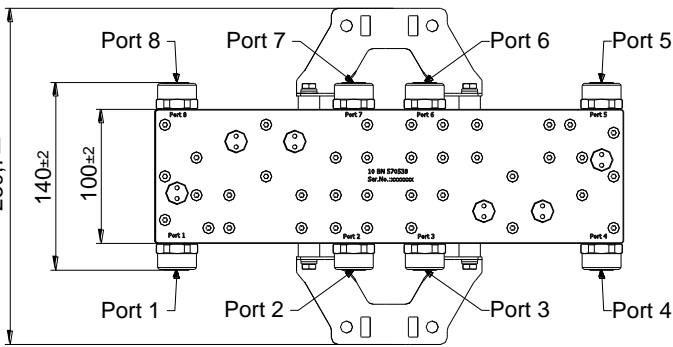
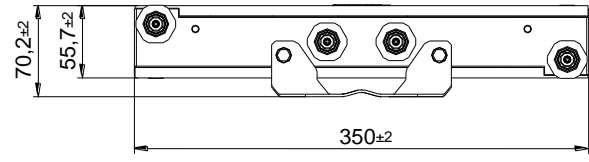
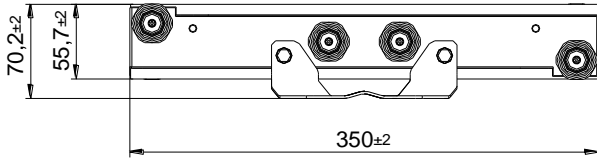
Class. of environmental conditions	ETSI EN 300019-1-1 Class 1.2 ETSI EN 300019-1-2 Class 2.3 ETSI EN 300019-1-4 Class 4.1E
Degree of protection	IP 65 (Outdoor)
Operation Ambient temperature range	-40 °C to +55 °C
Storage Ambient temperature range	-40 °C to +85 °C
Relative humidity, max.	95% (non-condensing)

This document is proprietary to us. All rights reserved. Any use, transfer, or reproduction of this document or the know-how contained therein requires our express consent.

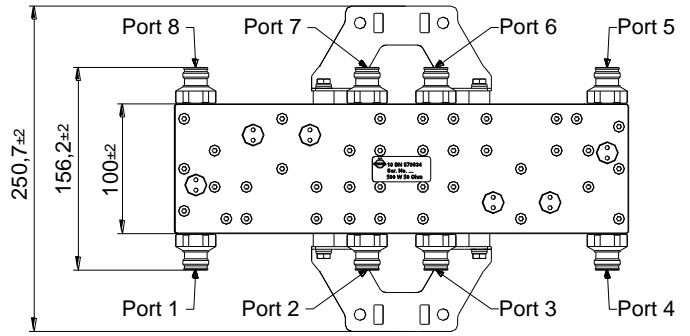
Template TD-00002Y

4-Way Combiner 694-2700 MHz

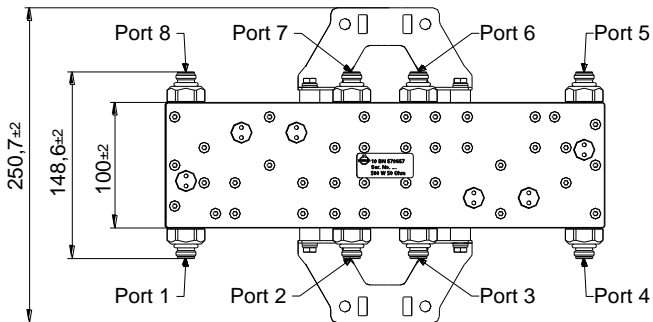
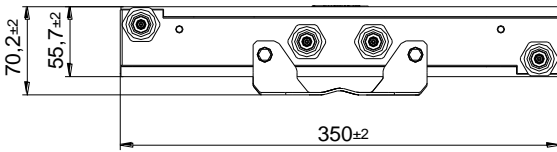
Outline (all dimensions in millimeter)



BN 570538



BN 570634



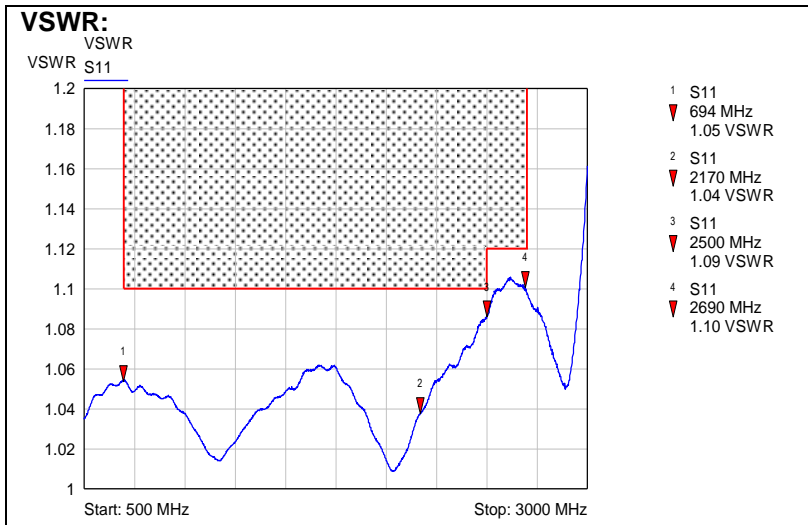
BN 570657

This document is proprietary to us. All rights reserved. Any use, transfer, or reproduction of this document or the know-how contained therein requires our express consent. 250,7±2

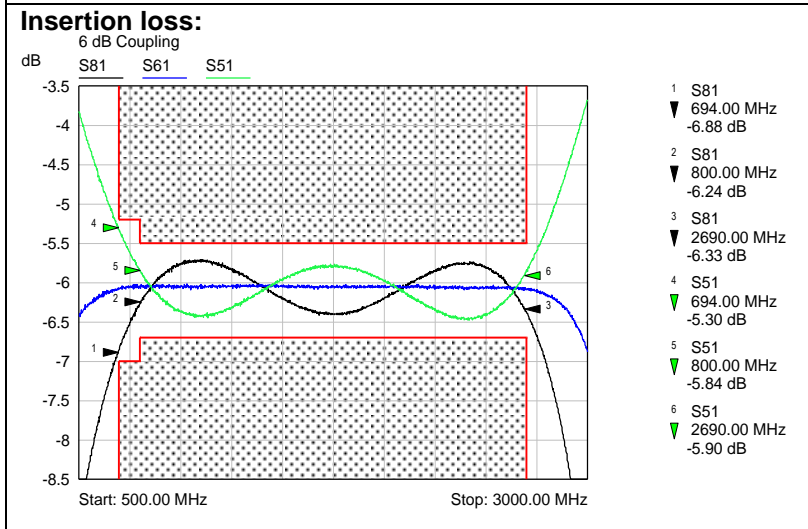
SPINNER GmbH
 Template TD-00002Y

4-Way Combiner 694-2700 MHz

Measurements:



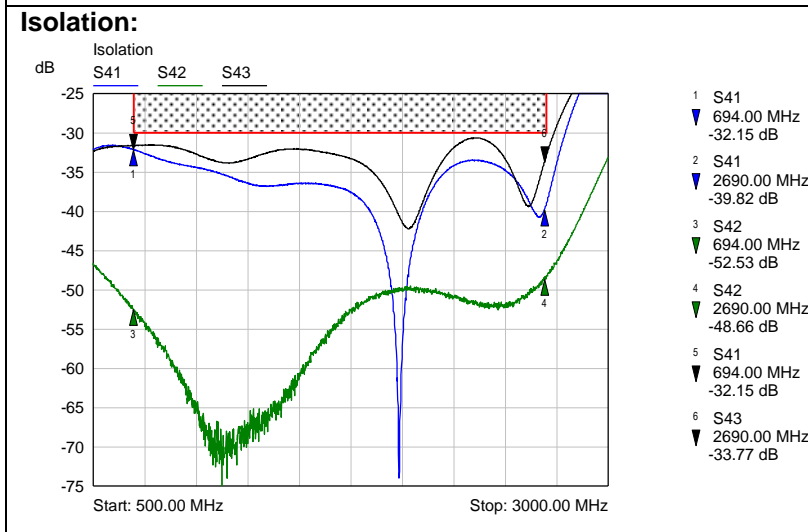
— typical for: S11 ... S44



— typical for: S51, S63, S72, S84

— typical for: S54, S62, S73, S81

— typical for: S52, S53, S61, S64, S71, S74, S82, S83



— typical for: S31, S42

— typical for: S21, S43

— typical for: S32, S41

SPINNER GmbH. This document is proprietary to us. All rights reserved. Any use, transfer, or reproduction of this document or the know-how contained therein requires our express consent.

Template TD-00002Y