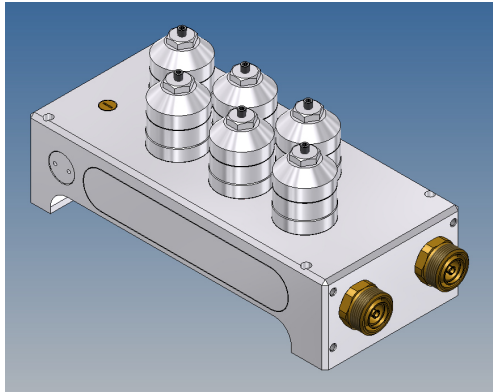
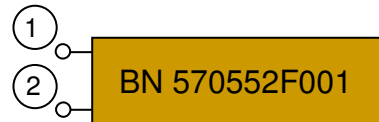


Bandstop Filter for GSM 900



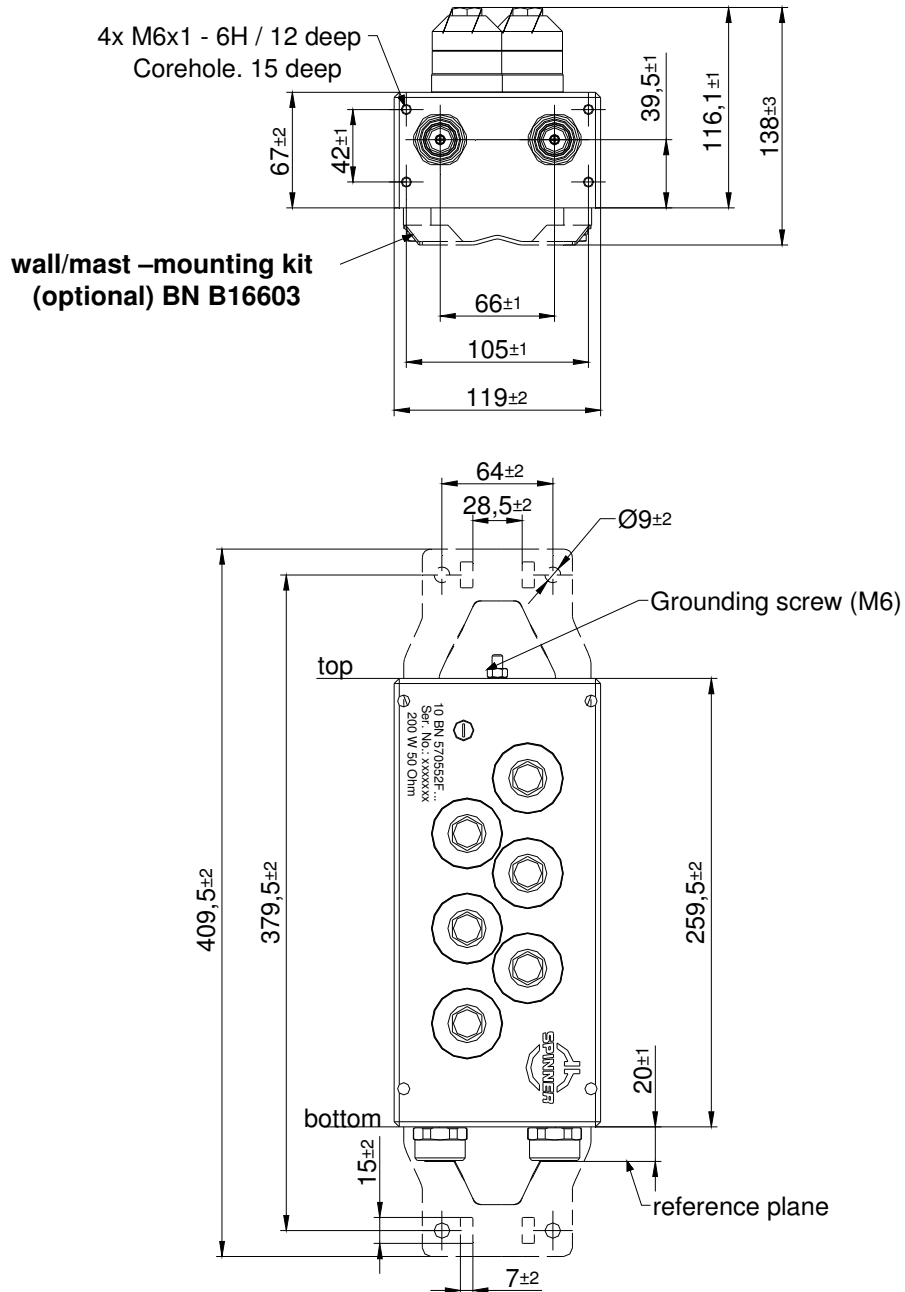
Not binding



block diagram

Part number	BN 570552F001	
Connectors	7-16 socket (50 Ohms)	
Frequency range	Passband	824.0 – 894.0 MHz
	Stopband	897.5 – 915.0 MHz
Isolation	≥ 51 dB	
Insertion loss	824.0 – 884.0 MHz	≤ 0.4 dB
	884.0 – 894.0 MHz	≤ 2.3 dB
VSWR	≤ 1.35	
Power rating	150 W (CW)	
DC-by-pass	max. 1A per input max. 60V DC(AISG Standard, 2.0, § 6.4)	
IM – value	≤ -150 dBc   typical: ≤ -155 dBc	
3rd order @ 2 x 20 W		
Degree of protection	IP 65 outdoor	
Class. of environmental conditions	ETSI EN 300019-1-1 Class 1.2	
	ETSI EN 300019-1-2 Class 2.3	
	ETSI EN 300019-1-4 Class 4.1E	
Weight	5.0 kg	
Temperature range	-10 – +65 °C	
Wall / Mast mounting	to be ordered separately under BN B16603	

Dimensions:



**Standard:**

7-16 female (50 ohms) : EN 122190, IEC 61169-4

modifications reserved

Measurements:

