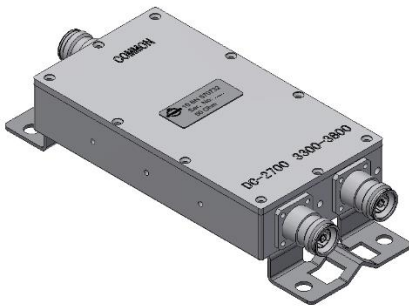
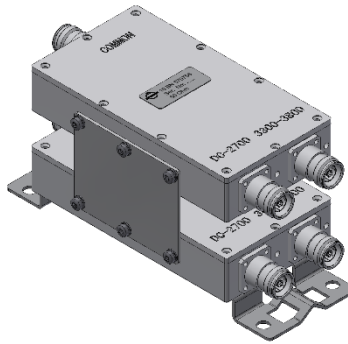


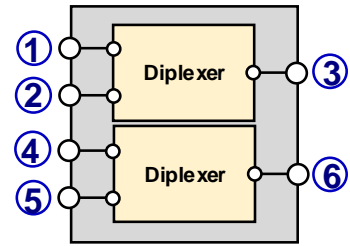
Diplexer DC-2700 / 3300-3800



Single Unit



Double Unit



block diagram

Electrical characteristics

| Part number | BN 570732 | BN 570756 |
|--|--|-----------|
| Version | Single | Double |
| Frequency range | DC – 2700 MHz 3300 – 3800 MHz | |
| Port 1, Port 4 Port 2, Port 5 | | |
| Insertion loss | ≤ 0.5 dB | |
| VSWR | ≤ 1.25 | |
| Isolation | ≥ 50 dB | |
| Impedance | 50 Ohm | |
| Surge protection | 3 kA (10/350 µs pulse) | |
| Passive intermodulation (IM3), 3rd order @ 2 x 20 W | ≤ -155 dBc | |
| DC-by-pass | Only on port 1,4 ↔ Port 3,6 (bidirectional) (max. 1A per input max. 60V DC (AISG Standard, 2.0, § 6.4)) | |
| Power Rating | 500W (CW) max. per input port 60W (CW) max. per input port | |
| Port 1, Port 4 Port 2, Port 5 | | |

Mechanical characteristics

| | | |
|--|---|---|
| Connectors | 4.3-10 female | |
| Dimensions, approx. (Excluding brackets and connectors) | 92 x 34 x 170 mm (Width x Height x Depth) | 92 x 94 x 170 mm (Width x Height x Depth) |
| Weight, approx. | 6 kg | 12 kg |
| Wall / Mast mounting | Part of delivery | |

Environmental conditions

| | |
|-------------------------------------|---|
| Class. of environmental conditions | ETSI EN 300019-1-1 Class 1.2 ETSI EN 300019-1-2 Class 2.3 ETSI EN 300019-1-4 Class 4.1E |
| Degree of protection | IP 65 (Outdoor) |
| Operation Ambient temperature range | -40 °C to +55 °C |
| Storage Ambient temperature range | -55 °C to +85 °C |
| Relative humidity, max. | 95% (non-condensing) |

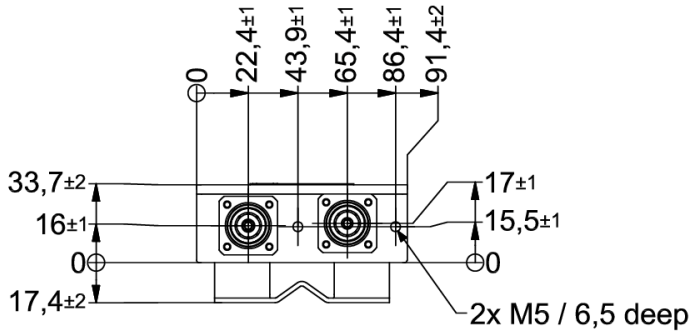
SPINNER GmbH
 This document is proprietary to us.
 All rights reserved. Any use, transfer, or reproduction of this document
 or the know-how contained therein requires our express consent.

Template TD-00002Y

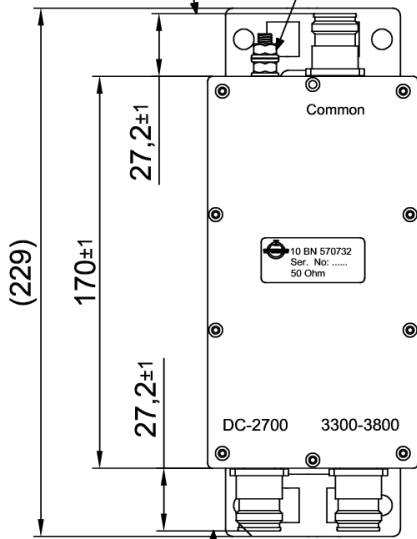
Diplexer DC-2700 / 3300-3800

Outline (all dimensions in millimeter)

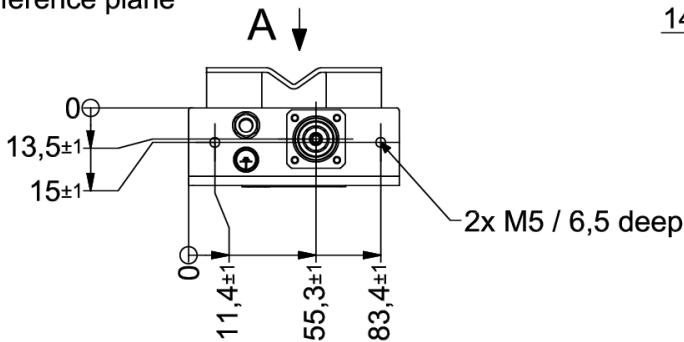
Single unit



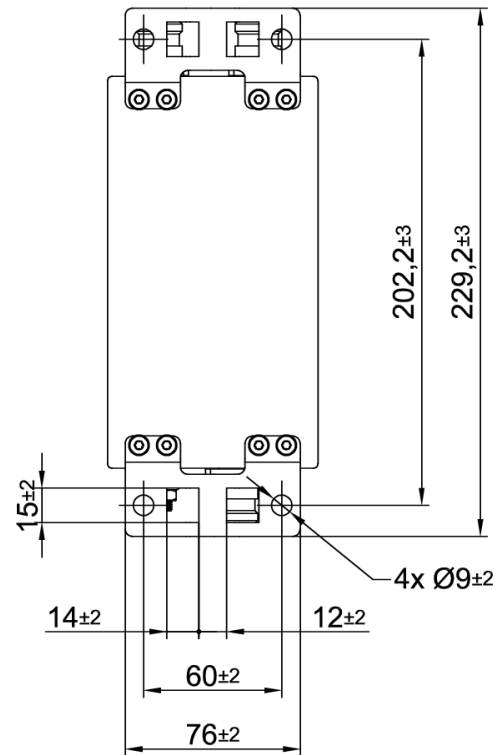
Reference plane 1x Grounding screw M6



Reference plane



A (1 : 3)



Standard:

4.3-10 female (50 ohms): IEC 61169-54

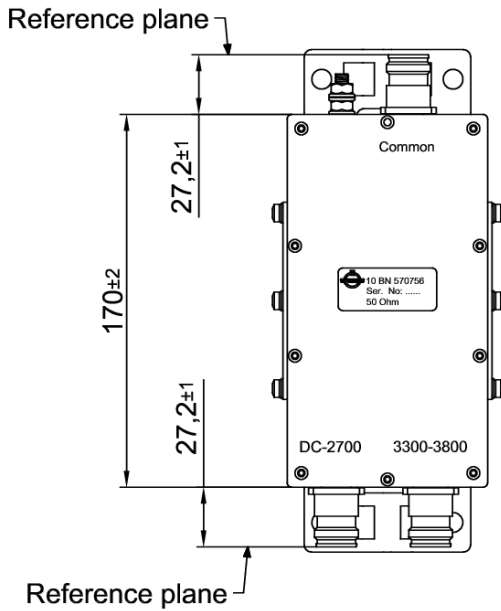
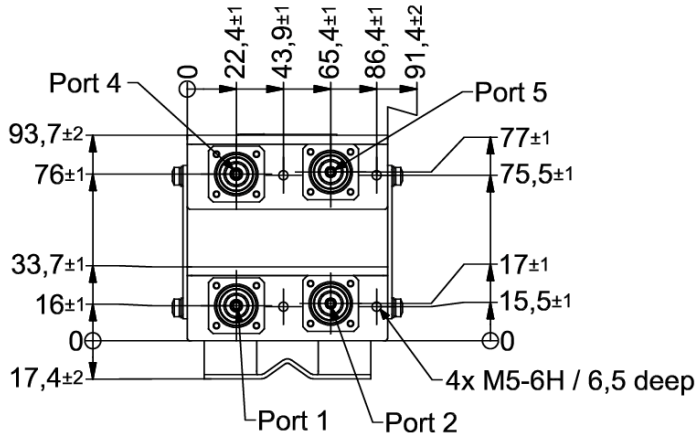
modifications reserved!

SPINNER GmbH
This document is proprietary to us.
All rights reserved. Any use, transfer, or reproduction of this document
or the know-how contained therein requires our express consent.

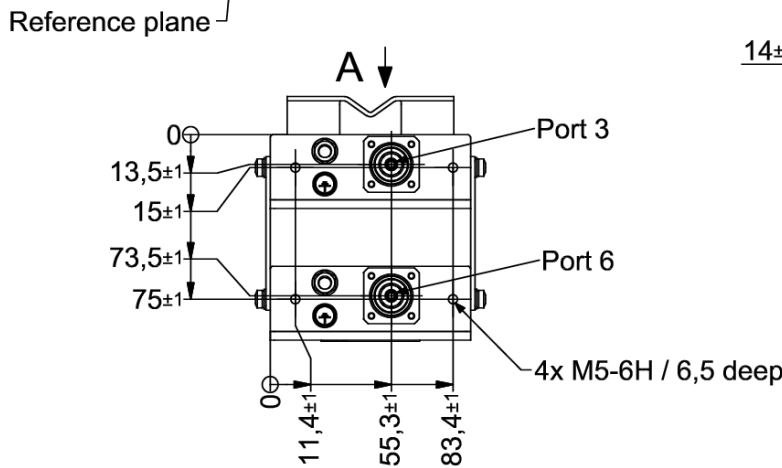
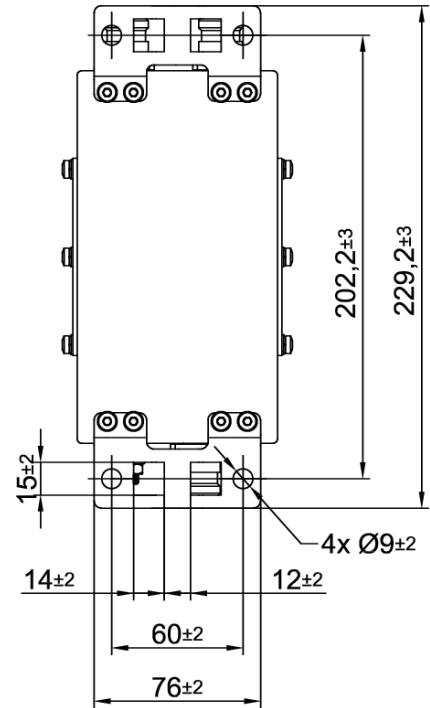
Template TD-00002Y

Diplexer DC-2700 / 3300-3800

Double unit



A (1 : 3)



Standard:
4.3-10 female (50 ohms): IEC 61169-54

modifications reserved!

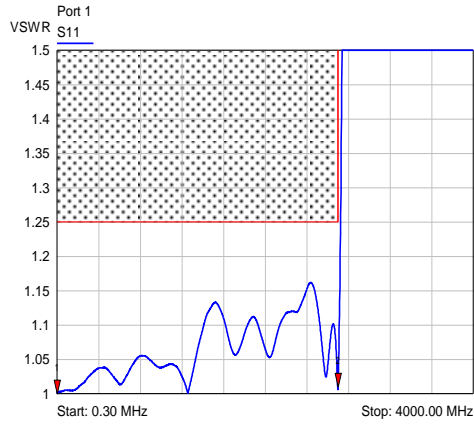
SPINNER GmbH
This document is proprietary to us.
All rights reserved. Any use, transfer, or reproduction of this document
or the know-how contained therein requires our express consent.

Template TD-00002Y

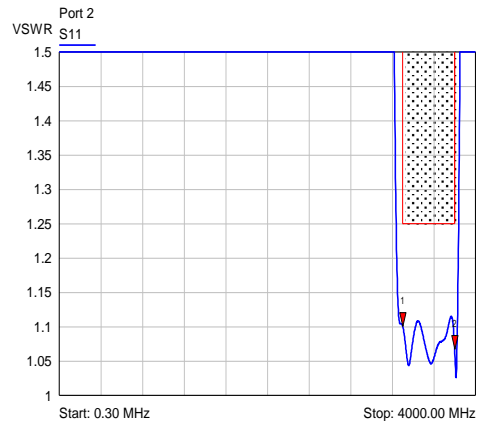
Diplexer DC-2700 / 3300-3800

Measurements:

VSWR:

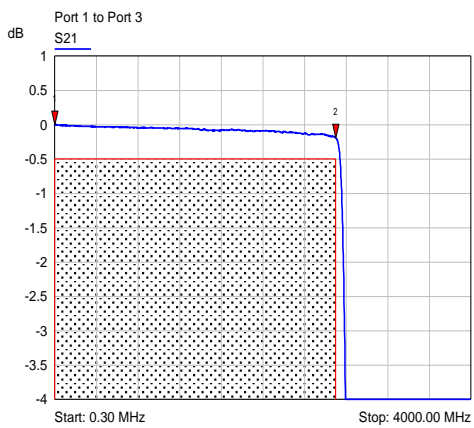


- 1 S11
▼ 0.30 MHz
1.00 VSWR
- 2 S11
▼ 2700.00 MHz
1.01 VSWR

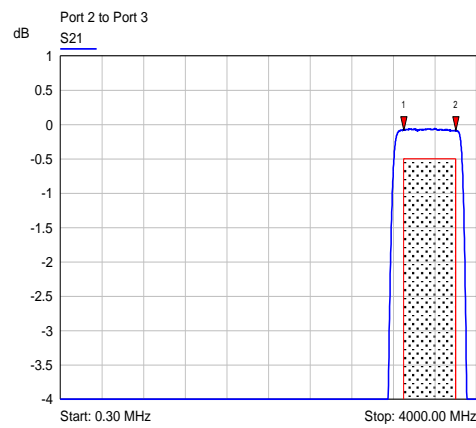


- 1 S11
▼ 3300.00 MHz
1.10 VSWR
- 2 S11
▼ 3800.00 MHz
1.07 VSWR

Insertion loss:

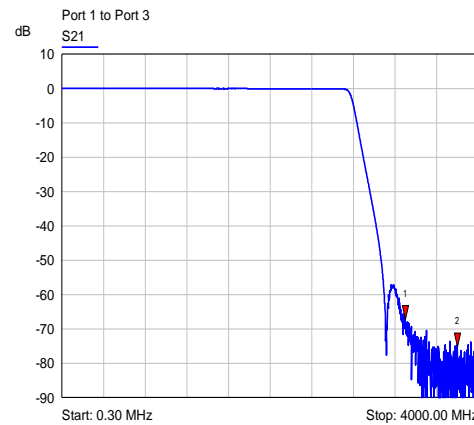


- 1 S21
▼ 0.30 MHz
-0.00 dB
- 2 S21
▼ 2700.00 MHz
-0.19 dB

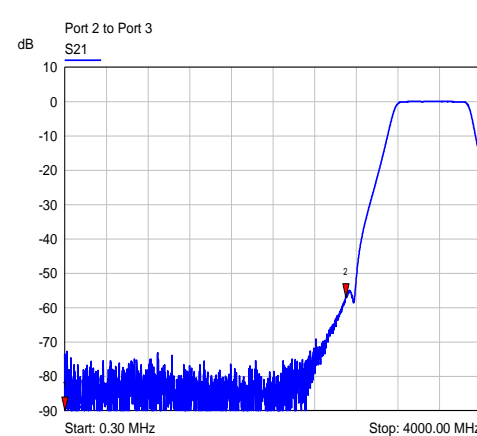


- 1 S21
▼ 3300.00 MHz
-0.09 dB
- 2 S21
▼ 3800.00 MHz
-0.09 dB

out of band rejection:



- 1 S21
▼ 3300.00 MHz
-67.23 dB
- 2 S21
▼ 3800.00 MHz
-75.17 dB



- 1 S21
▼ 0.30 MHz
-123.87 dB
- 2 S21
▼ 2700.00 MHz
-57.03 dB

SPINNER GmbH This document is proprietary to us. All rights reserved. Any use, transfer, or reproduction of this document or the know-how contained therein requires our express consent.

Template TD-00002Y