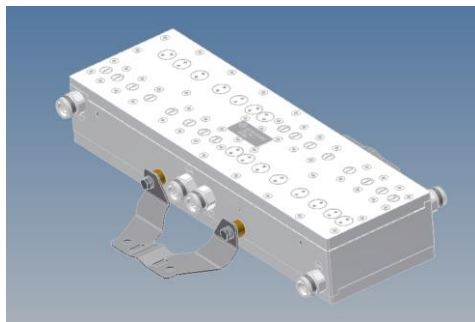
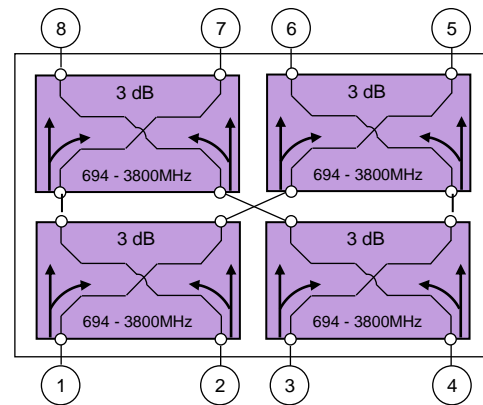


4-Way Combiner 694-3800 MHz



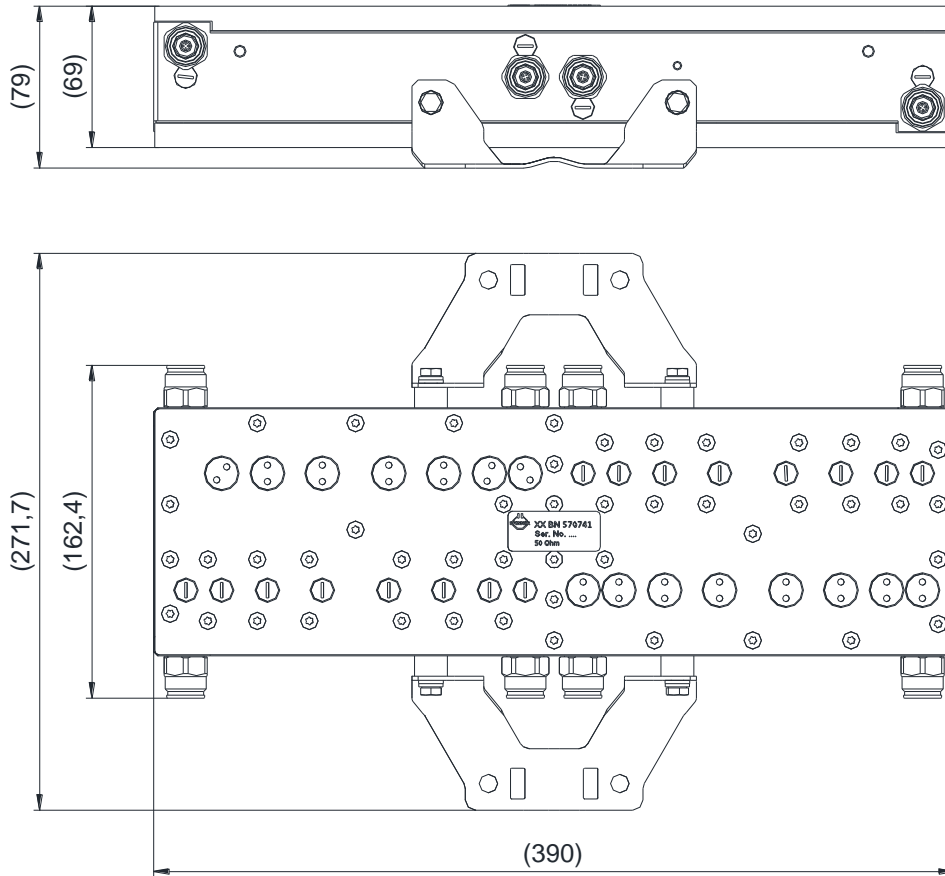
not binding



block diagram

Part number	BN 570741
Connectors	4.3-10 female (50 Ohms)
Port 1 - 4	inputs
Port 5 - 8	outputs
Frequency range	694 - 3800 MHz
Insertion loss (including nominal 6 dB splitting losses) 694 - 3800 MHz	6.2 dB ± 1.0 dB
Isolation 694 - 750 MHz	≥ 28 dB typ. 30 dB
750 - 3800 MHz	≥ 30 dB typ. 32 dB
VSWR	≤ 1.2 (typ. 1.15)
Power rating	500W (CW) max. per port
IM-value 3rd order @ 2 x 20W	≤ -160 dBc typical: ≤ -165 dBc
Test voltage	500 V
Special feature	DC path Port 1 → Port 5, Port 2 → Port 7 DC path Port 3 → Port 6, Port 4 → Port 8 (max. 6.5 A AISG2 conform)
Degree of protection	IP 65 outdoor
Environmental conditions	ETSI EN 300019-1-1 Class 1.2 ETSI EN 300019-1-2 Class 2.3 ETSI EN 300019-1-4 Class 4.1E
Weight	10 kg
Wall / Mast mounting	Part of delivery
Temperature range	-40 °C - +65 °C
Dimensions (w x h x d)	see drawing

Dimensions:

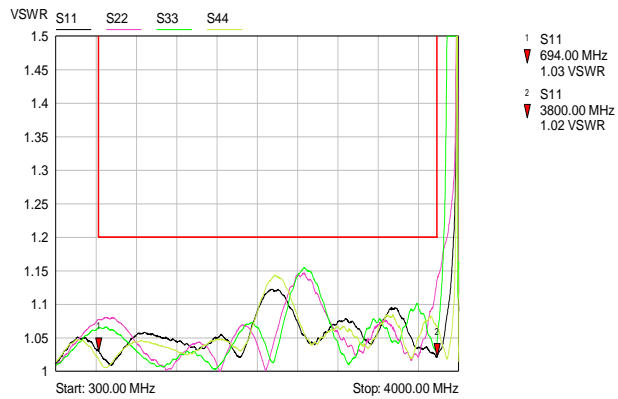


Standard:

4.3-10 female (50 ohms): IEC 61169-54 modifications reserved!

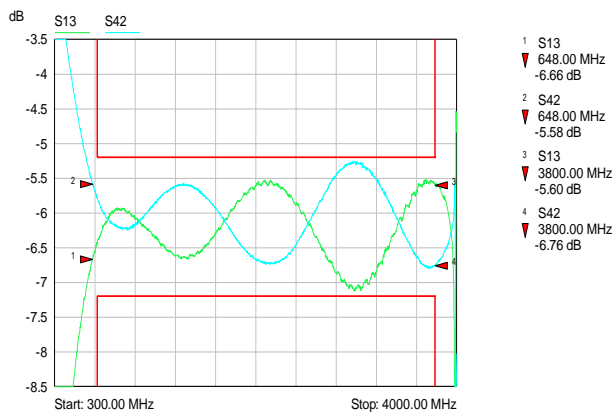
Measurements:

VSWR:



— typical for: S11 ... S44

Insertion loss:

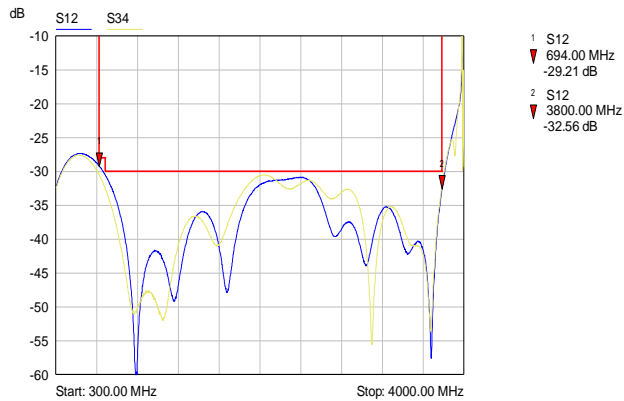


— typical for: S51, S63, S72, S84

— typical for: S54, S62, S73, S81

— typical for: S52, S53, S61, S64, S71, S74, S82, S83

Isolation:



— typical for: S31, S42

— typical for: S21, S43

— typical for: S32, S41

