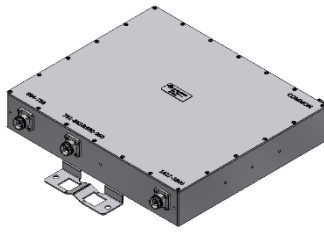


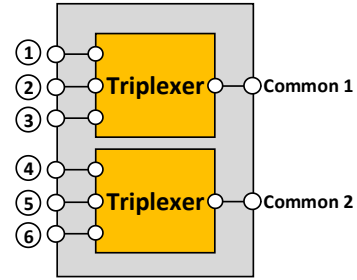
Triplexer 700 / 800-900 / 1427-3800



Single Unit



Double Unit



block diagram

Electrical characteristics

Part number		BN 570786	BN 570787
Version		Single	Double
Frequency range Port 1,4 Port 2,5 Port 3,6		694-788 MHz 791-862 & 880-960 MHz 1427-2690 & 3300-3800 MHz	
Insertion loss	@ Ambient temperature (+25°C)	≤ 0.6 dB @ 694-785 MHz / ≤ 1.2 dB @ 785-788 MHz ≤ 1.2 dB @ 791-794 MHz / ≤ 0.6 dB @ 794-862 & 880-960 MHz ≤ 0.6 dB @ 1427-2690 & 3300-3800 MHz	
	@ Temperature range (-20°C to +55°C)	≤ 0.6 dB @ 694-785 MHz / ≤ 1.6 dB @ 785-788 MHz ≤ 1.6 dB @ 791-794 MHz / ≤ 0.6 dB @ 794-862 & 880-960 MHz ≤ 0.6 dB @ 1427-2690 & 3300-3800 MHz	
VSWR		≤ 1.25	
Isolation Port 1 ↔ Port 2 / Port 4 ↔ Port 5 Port 1 ↔ Port 3 / Port 4 ↔ Port 6 Port 2 ↔ Port 3 / Port 5 ↔ Port 6		≥ 40 dB ≥ 50 dB ≥ 50 dB	
Passive intermodulation (IM3), 3rd order @ 2 x 20W		≤ -155 dBc @ 694-2700 MHz	
Impedance		50 Ohm	
Power Rating		100 W (CW) max. per input port	

Mechanical characteristics

Connectors	4.3-10 female	
Dimensions, approx. (Without brackets and connectors)	348 mm x 62 mm x 300 mm (Width x Height x Depth)	348 mm x 127 mm x 300 mm (Width x Height x Depth)
Weight, approx.	10 kg	20 kg
Color	Grey (RAL 7047)	
Wall / Mast mounting	Part of delivery	

Environmental conditions

Class. of environmental conditions	ETSI EN 300019-1-1 Class 1.2 ETSI EN 300019-1-2 Class 2.3 ETSI EN 300019-1-4 Class 4.1E
Degree of protection	IP 65 (Outdoor)
Operation Ambient temperature range	-40 °C to +55 °C
Storage Ambient temperature range	-40 °C to +85 °C
Relative humidity, max.	95% (non-condensing)

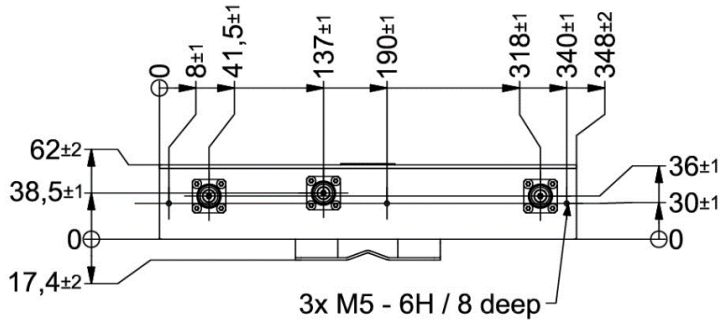
SPINNER GmbH | This document is proprietary to us. All rights reserved. Any use, transfer, or reproduction of this document or the know-how contained therein requires our express consent.

Template TD-00002Y

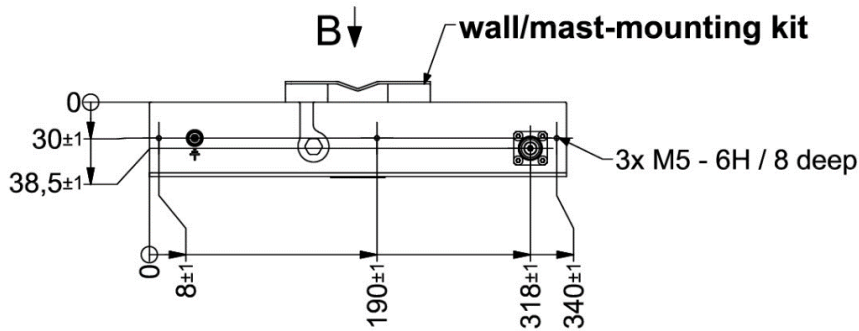
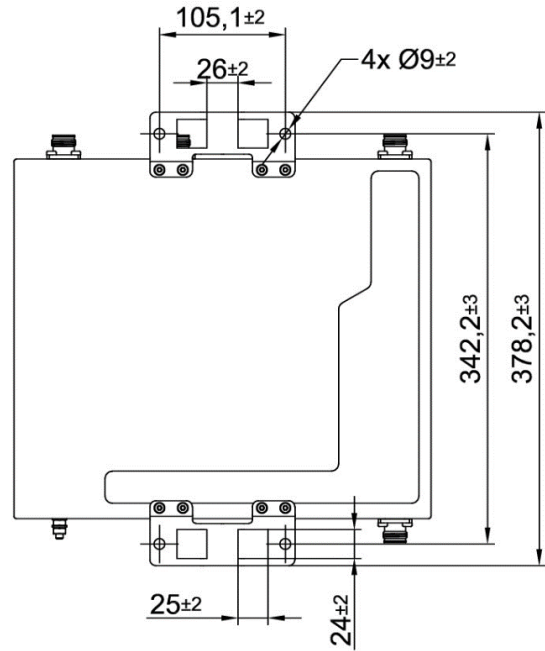
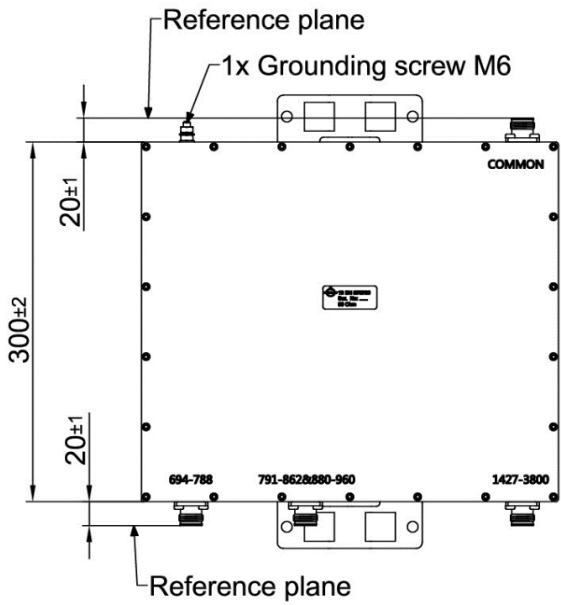
Triplexer 700 / 800-900 / 1427-3800

Outline (all dimensions in millimeter)

BN 570786



B (1 : 5.5)



Standard:

4.3-10 female (50 ohms): IEC 61169-54

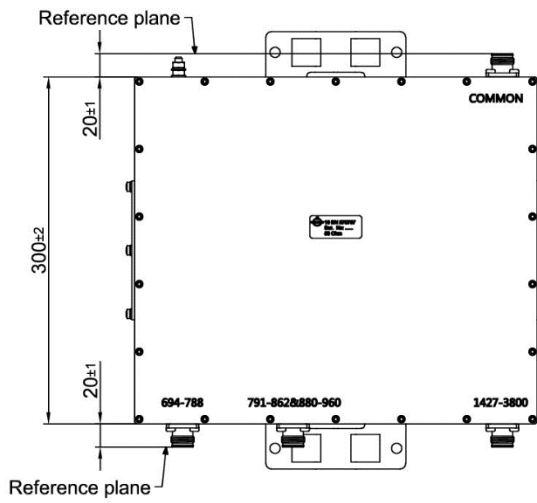
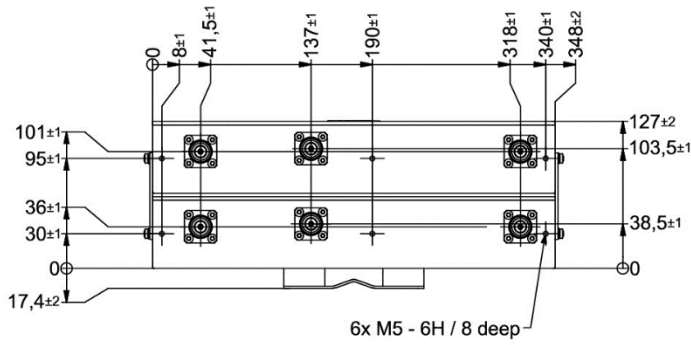
modifications reserved!

SPINNER GmbH
This document is proprietary to us.
All rights reserved. Any use, transfer, or reproduction of this document
or the know-how contained therein requires our express consent.

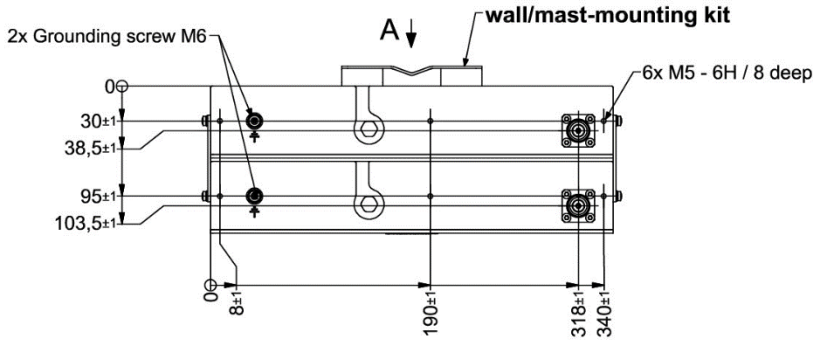
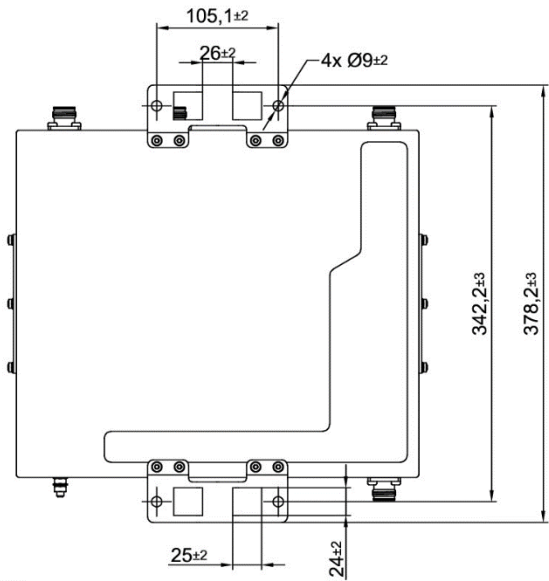
Template TD-00002Y

Triplexer 700 / 800-900 / 1427-3800

BN 570787



A (1 : 4)



Standard:

4.3-10 female (50 ohms): IEC 61169-54

modifications reserved!

SPINNER GmbH
This document is proprietary to us.
All rights reserved. Any use, transfer, or reproduction of this document
or the know-how contained therein requires our express consent.

Template TD-00002Y