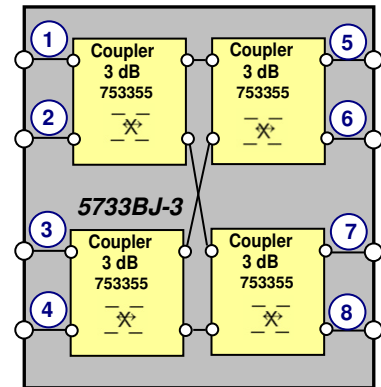


Coupler Unit



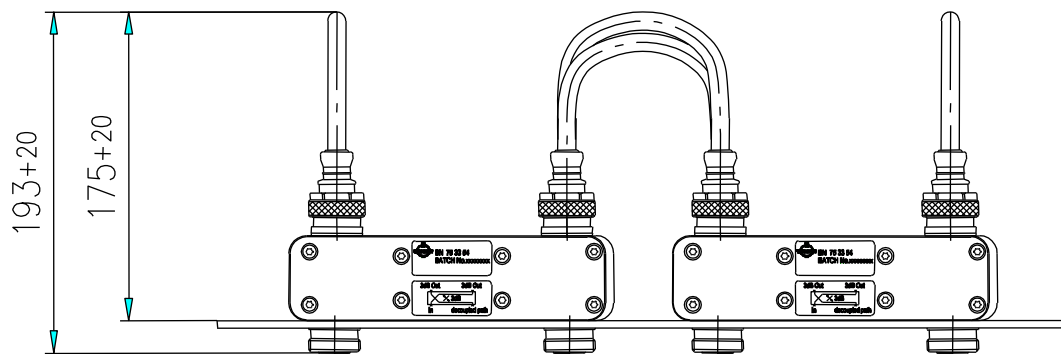
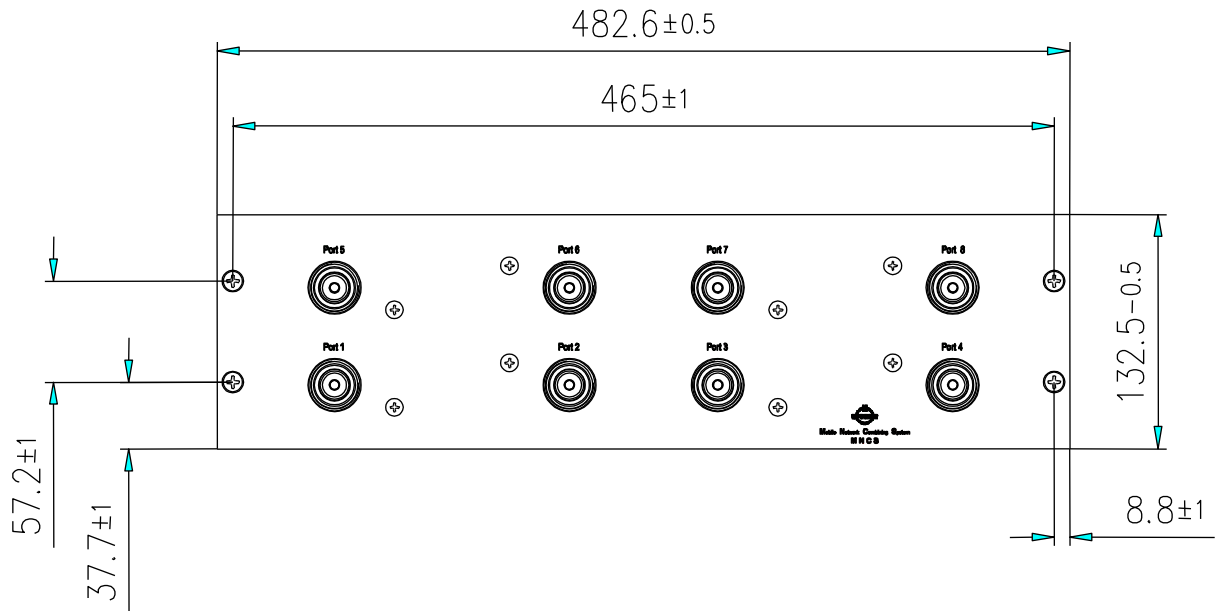
not binding



block diagram

|                                    |                                                                                                              |                                              |
|------------------------------------|--------------------------------------------------------------------------------------------------------------|----------------------------------------------|
| <b>Part number</b>                 | <b>BN 573329</b>                                                                                             |                                              |
| Basis modul                        | BN 5733BJ-3                                                                                                  |                                              |
| Consisting of                      | 4 pcs. Coaxial directional coupler in „X“ configuration (BN753355)                                           |                                              |
| Connectors                         | 7-16 female (50 Ohms)                                                                                        |                                              |
| Frequency range                    | 698 - 2700 MHz<br>Port identification according to front-panel inscription.                                  |                                              |
| Insertion loss                     | Port 1 → Port 5, 6, 7, 8<br>Port 2 → Port 5, 6, 7, 8<br>Port 3 → Port 5, 6, 7, 8<br>Port 4 → Port 5, 6, 7, 8 | ≤ 7.0 dB<br>≤ 7.0 dB<br>≤ 7.0 dB<br>≤ 7.0 dB |
| Isolation                          | Port 1 ↔ Port 2, 3, 4<br>Port 2 ↔ Port 1, 3, 4<br>Port 3 ↔ Port 1, 2, 4<br>Port 4 ↔ Port 1, 2, 3             | ≥ 28 dB<br>≥ 28 dB<br>≥ 28 dB<br>≥ 28 dB     |
| VSWR                               | ≤ 1.12                                                                                                       |                                              |
| Test voltage                       | 3 kV                                                                                                         |                                              |
| Power rating                       | 1000 W CW max. (total)                                                                                       |                                              |
| IM – value<br>3rd order @ 2 x 20 W | ≥ 155 dBc   typical: ≥ 160 dBc                                                                               |                                              |
| Degree of protection               | IP 20                                                                                                        |                                              |

Dimensions:



modifications reserved

Measurements:

