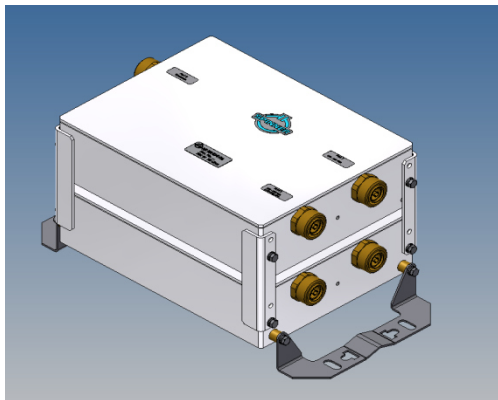
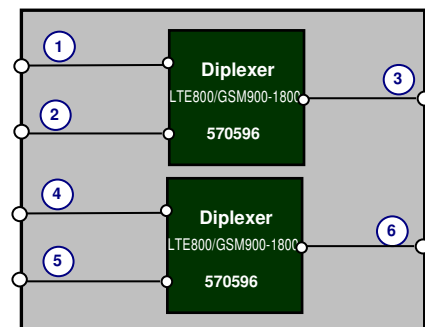


Double Unit Diplexer LTE800 / GSM900-1800



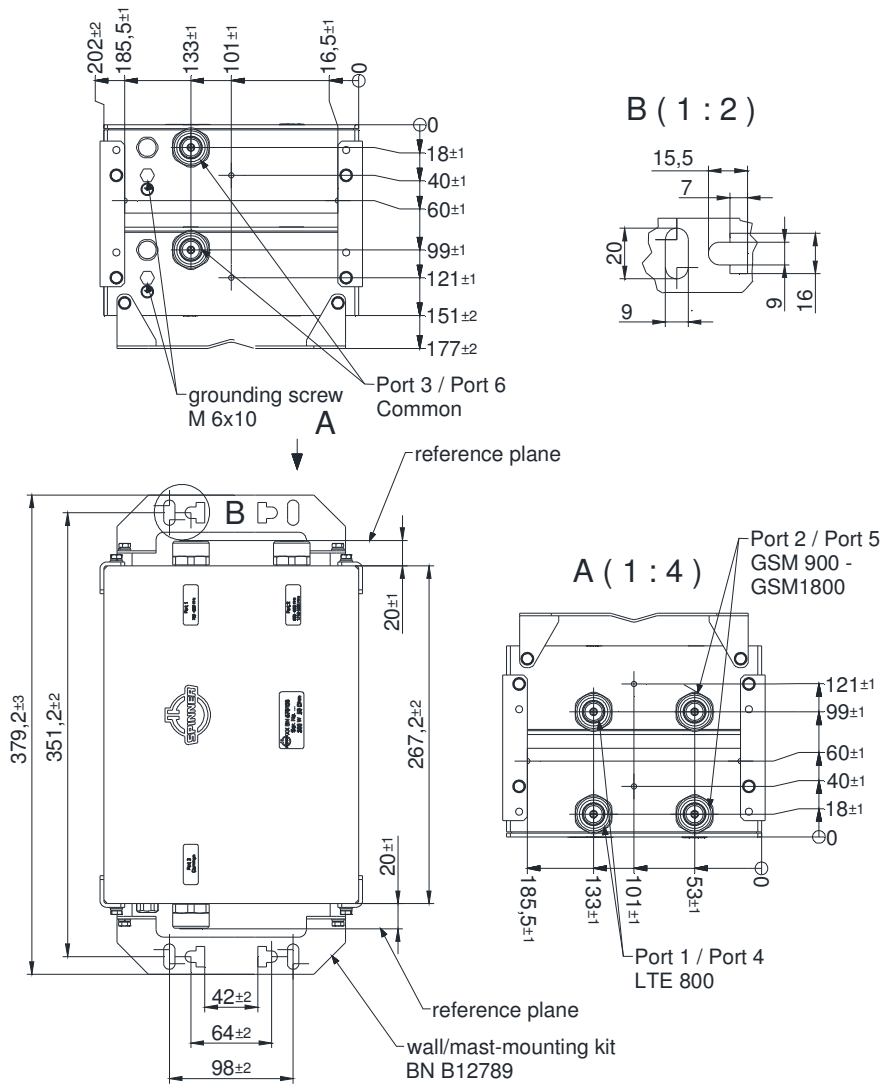
not binding



block diagram

Part number	BN 576106	
Connectors	7-16 socket (50 Ohms)	
Frequency range	Port 1, 4 Port 2, 5	790 - 862 MHz (LTE800) 880 - 960 MHz (GSM900) 1710 - 1880 MHz (GSM1800)
Insertion loss	≤ 0.5 dB (typ. 0.3 dB)	
Isolation	Port 1 → Port 2 or Port 4 → Port 5 Port 2 → Port 1 or Port 5 → Port 4	≥ 50 dB (typ. 60 dB) 880 - 960 MHz 1710 - 1880 MHz ≥ 50 dB (typ. 70 dB)
VSWR	≤ 1.25 (typ. 1.2)	
Power rating	Port 1, 4 Port 2, 5	300 W CW 300 W CW
IM-value	3rd order @ 2 x 20 W ≤ -155 dBc typical: ≤ -160 dBc	
DC by-pass	max. 1 A per input max. 60 V DC (AISG Standard, 2.0, § 6.4)	
Degree of protection	IP 68	
Environmental conditions	ETSI EN 300019-1-1 Class 1.2 ETSI EN 300019-1-2 Class 2.3 ETSI EN 300019-1-4 Class 4.1E	
Weight	15.5 kg	
Size	310 x 207 x 151 mm	
Wall/ Mast mounting	part of delivery	
Temperature range	-40 °C – +65°C	

Dimensions:



Standard:

7-16 female (50 ohms): EN122190, IEC 61169-4

modifications reserved

Measurement:

