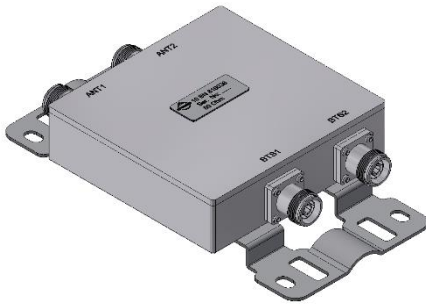
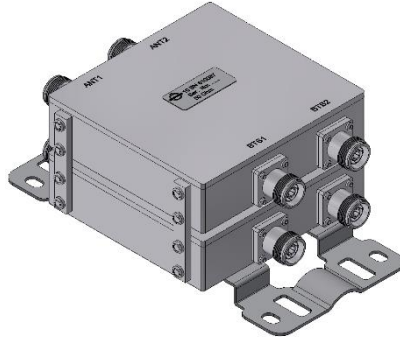


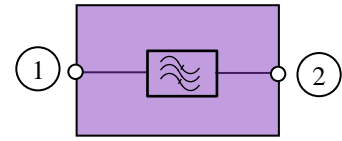
Bandpass Filter 3.5 GHz



Double



Quadruple



Block diagram

Electrical characteristics

Part number	BN 610036	BN 610037
Version	Double	Quadruple
Frequency range	3420 - 3540 MHz	
Insertion loss	1.3 @ 3420 - 3430 MHz ≤ 0.5 dB @ 3430 - 3540 MHz	
VSWR	≤ 1.25	
Out of band rejection	≥ 38 dB @ 3390 - 3400 MHz	
IM- value 3rd order @ 2 x 20 W	-150 dBc max. / -155 dBc typ.	
Impedance	50 Ohm	
Power Rating	20 W (CW) max. per input port	

Mechanical characteristics

Connectors	4.3-10 female	
Dimensions, approx. (Excluding brackets and connectors)	137 mm x 131 mm x 37 mm (Width x Height x Depth)	137 mm x 131 mm x 79 mm (Width x Height x Depth)
Weight, approx.	2 kg	4 kg
Color	Grey (RAL 7047)	
Wall / Mast mounting (optional)	Part of delivery	

Environmental conditions

Class. of environmental conditions	ETSI EN 300019-1-1 Class 1.2 ETSI EN 300019-1-2 Class 2.3 ETSI EN 300019-1-4 Class 4.1E
Degree of protection	IP67
Operation Ambient temperature range	-40 °C to +55 °C
Storage Ambient temperature range	-40 °C to +85 °C
Relative humidity, max.	95% (non-condensing)

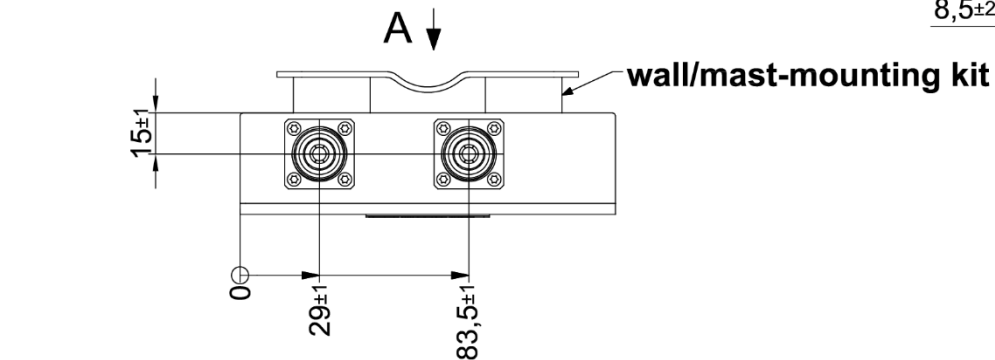
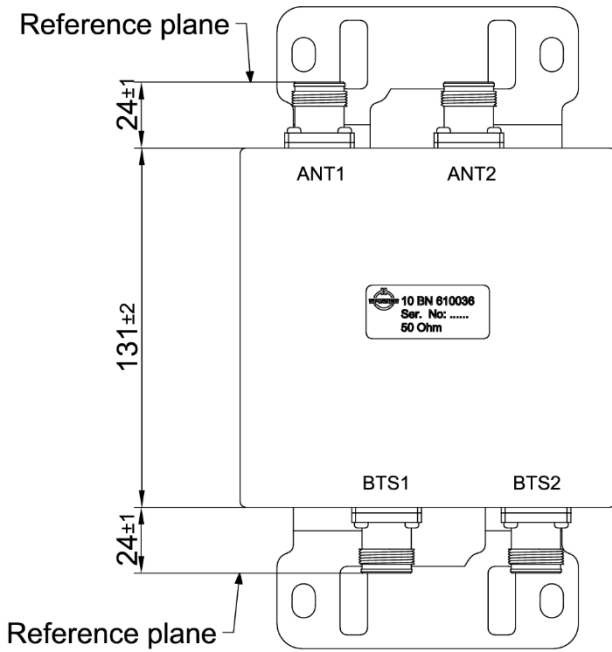
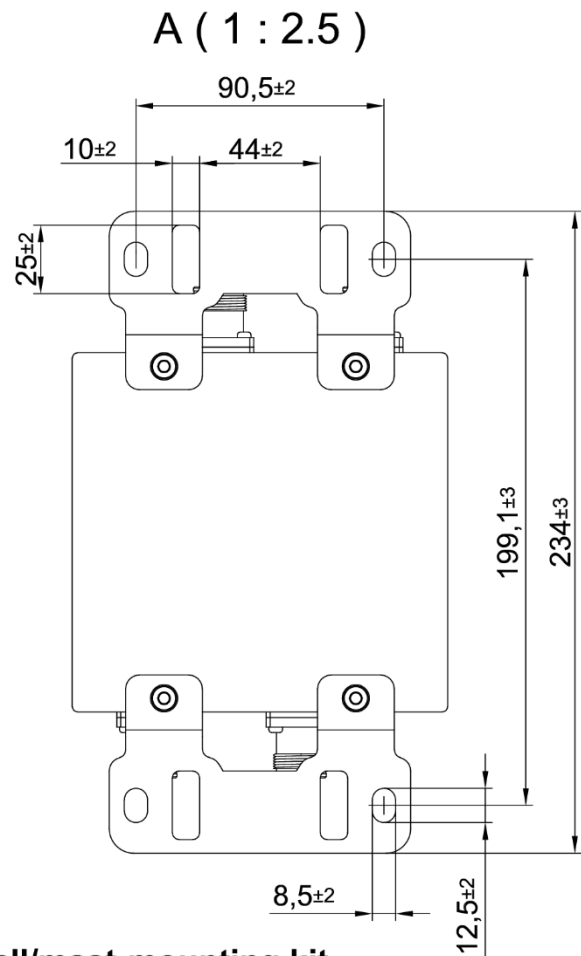
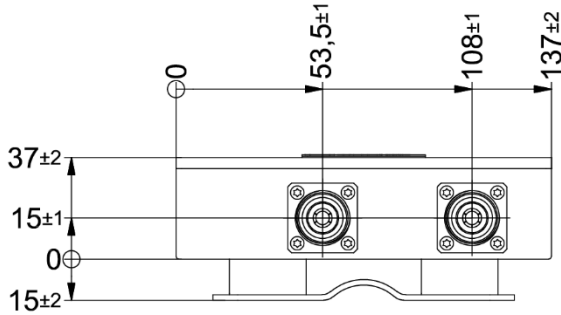
SPINNER GmbH
 This document is proprietary to us.
 All rights reserved. Any use, transfer, or reproduction of this document
 or the know-how contained therein requires our express consent.

Template TD-00002Y

Bandpass Filter 3.5 GHz

Outline (all dimensions in millimeter)

BN 610036



Standard:

4.3-10 female (50 ohms): IEC 61169-54

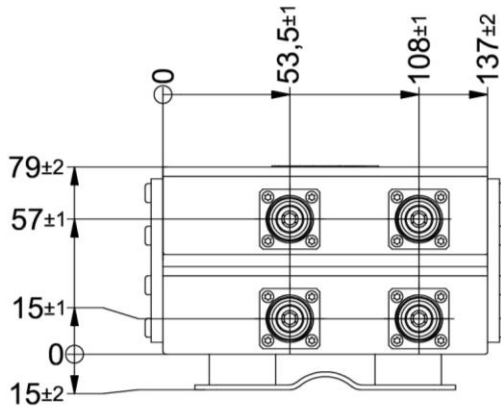
Modification reserved!

SPINNER GmbH
This document is proprietary to us.
All rights reserved. Any use, transfer, or reproduction of this document
or the know-how contained therein requires our express consent.

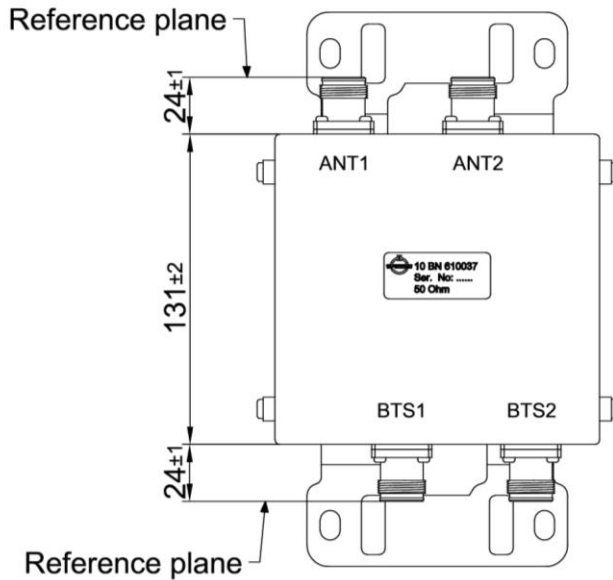
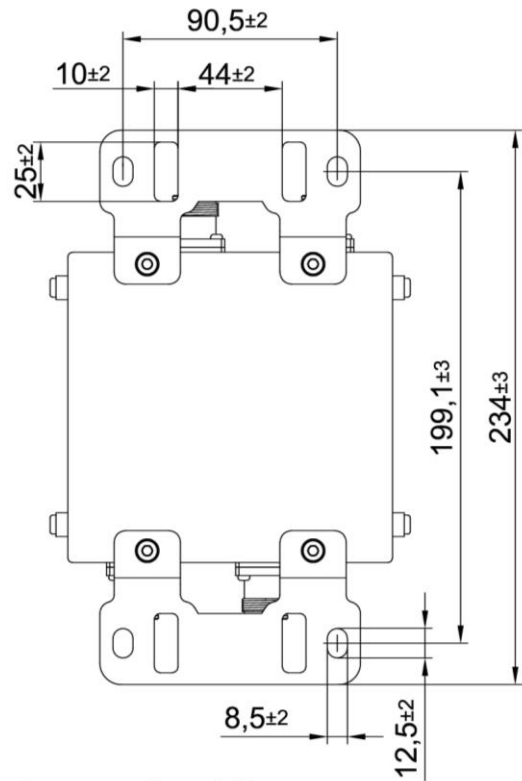
Template TD-00002Y

Bandpass Filter 3.5 GHz

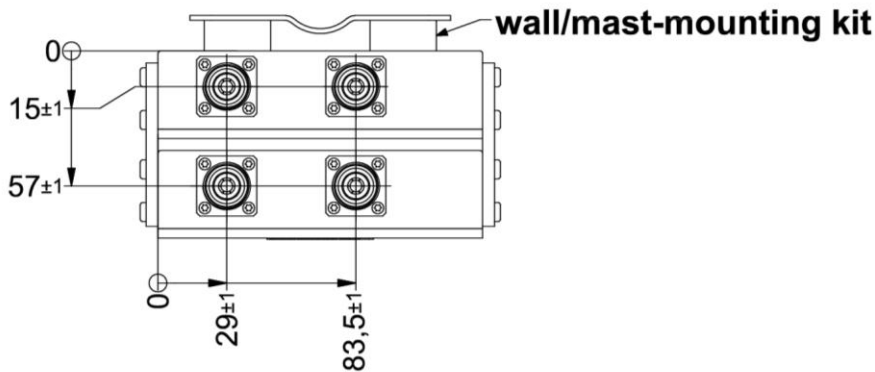
BN 610037



A (1 : 3)



A ↓



Standard:
4.3-10 female (50 ohms): IEC 61169-54

Modification reserved!

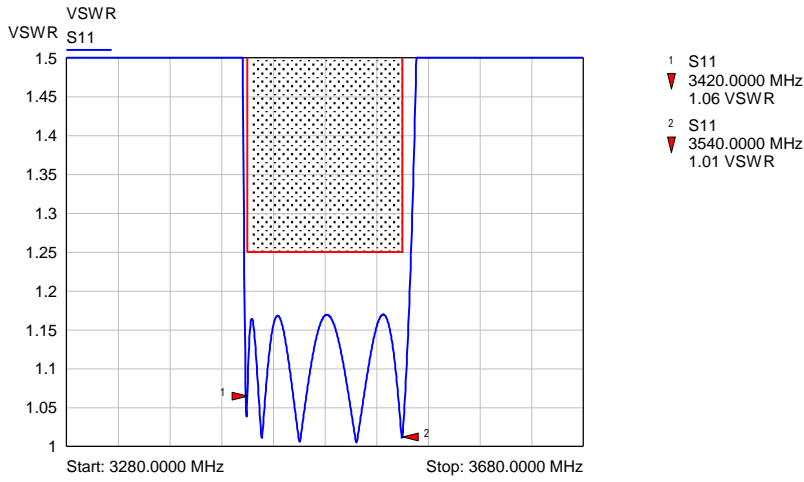
SPINNER GmbH. This document is proprietary to us. All rights reserved. Any use, transfer, or reproduction of this document or the know-how contained therein requires our express consent.

Template TD-00002Y

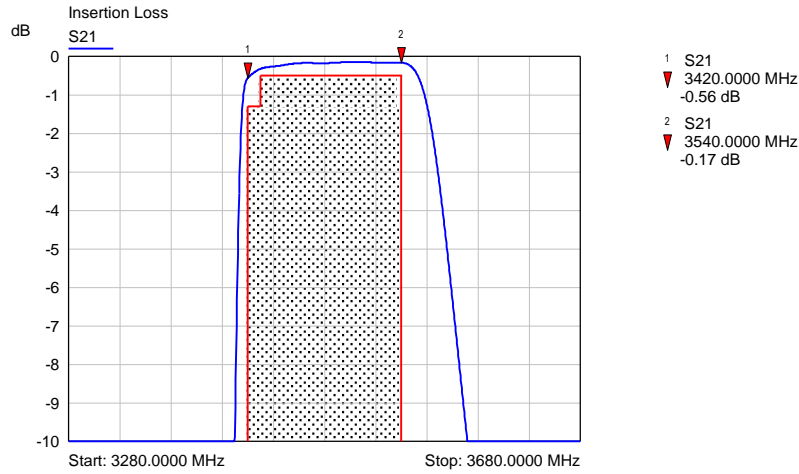
Bandpass Filter 3.5 GHz

Measurements:

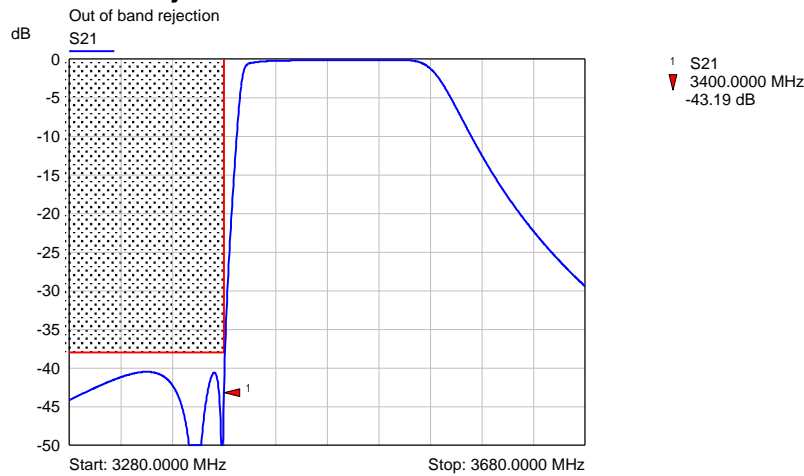
VSWR:



Insertion loss:



Out of band rejection:



SPINNER GmbH This document is proprietary to us. All rights reserved. Any use, transfer, or reproduction of this document or the know-how contained therein requires our express consent.

Template TD-00002Y