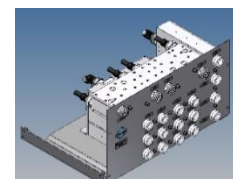
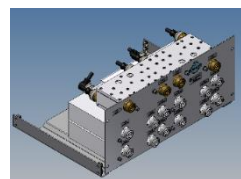
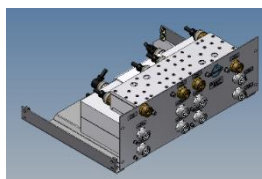
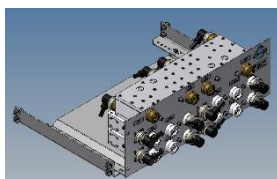
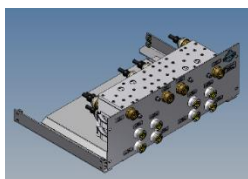


Multiband Combining System

with 4 output ports



BN 610649

BN 610652

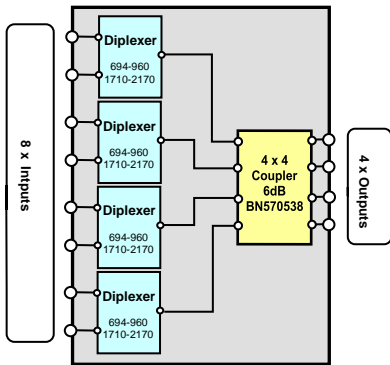
BN 610650

BN 610651

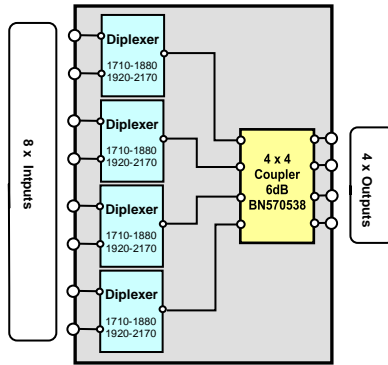
BN 610648

Part number	BN 610649	BN 610650	BN 610652	BN 610651	BN 610648
Input* : output	8 : 4	8 : 4	8 : 4	12 : 4	16 : 4
Connectors	7-16 female (50 Ohms)				
Frequency range					
Band 1	694 - 960 MHz	1710 - 1880 MHz	694 - 2170 MHz	694 - 960 MHz	694 - 960 MHz
Band 2	1710 - 2170 MHz	1920 - 2170 MHz	2496 - 2690 MHz	1710 - 1880 MHz	1710 - 1880 MHz
Band 3				1920 - 2170 MHz	1920 - 2170 MHz
Band 4					2500 - 2690 MHz
Insertion loss (* splitting losses)	≤ 0.35 dB + 6.1 dB ± 0.9 dB*	≤ 0.65 dB + 6.1 dB ± 0.9 dB*	≤ 0.55 dB + 6.1 dB ± 0.9 dB*	≤ 0.65 dB + 6.1 dB ± 0.9 dB*	≤ 0.75 dB + 6.1 dB ± 0.9 dB*
Isolation					
Interband	≥ 50 dB				
Intraband	≥ 30 dB				
VSWR	≤ 1.4 (typ. 1.25)				
Power rating (each input port)	≤ 200 W	≤ 200 W	≤ 200 W	≤ 130 W	≤ 125 W
IM-value 3rd order @ 2 x 20 W	≤ -155 dBc typical: ≤ -160 dBc				
Degree of protection	indoor use (all components IP65)				
Environmental conditions:	ETSI EN 300019-1-1 Class 1.2 ETSI EN 300019-1-2 Class 2.3 ETSI EN 300019-1-3 Class 3.3				
Weight:	12 kg	21 kg	21 kg	24 kg	26.4 kg
Mounting:	Wall mounting or 19" Rack mounting included				
Temperature range:	-40 °C – +65 °C	-40 °C – +65 °C	-40 °C – +65 °C	-40 °C – +65 °C	-40 °C – +65 °C

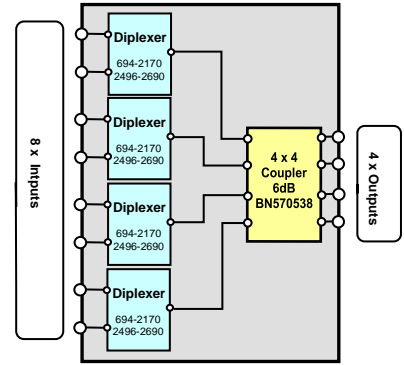
*unused input ports must be terminated with 5W standard load 531712 (to be ordered separately).



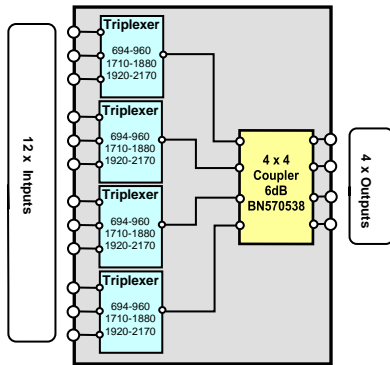
BN 610649



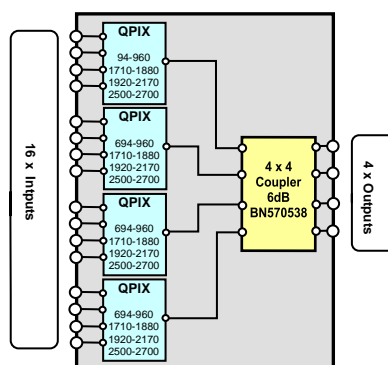
BN 610650



BN 610652

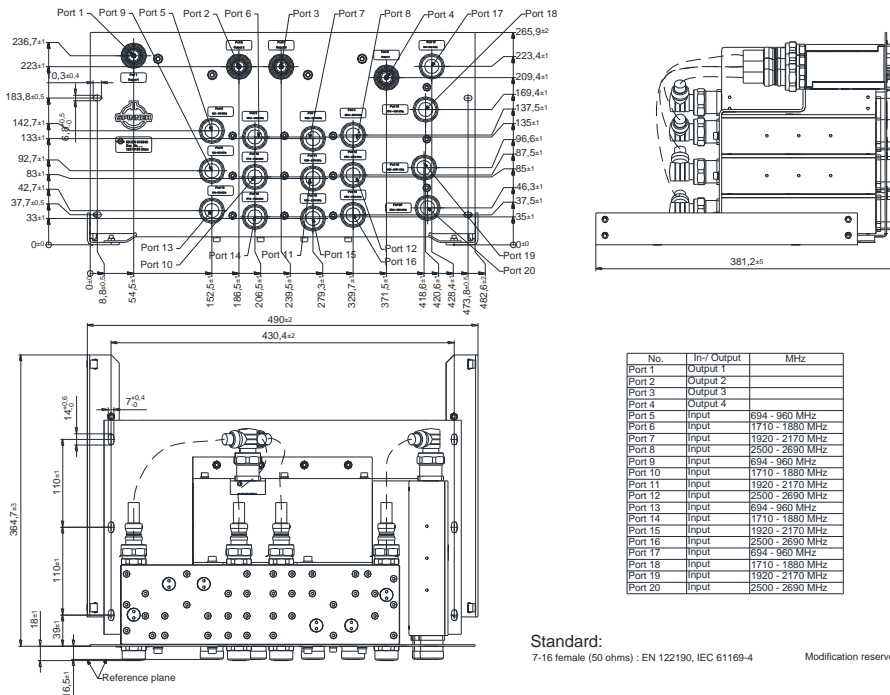


BN 610651

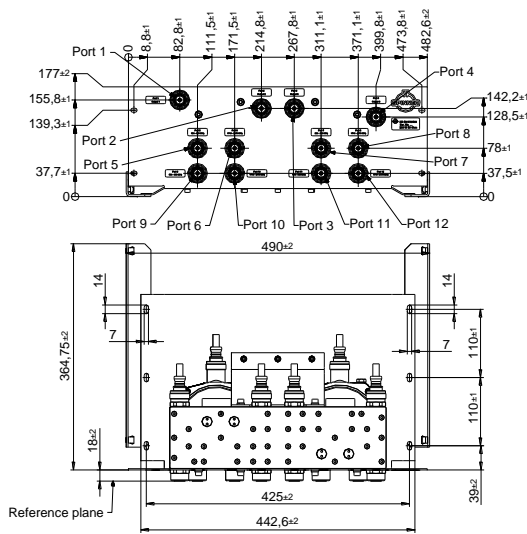


BN 610648

Dimensions:



BN 610648



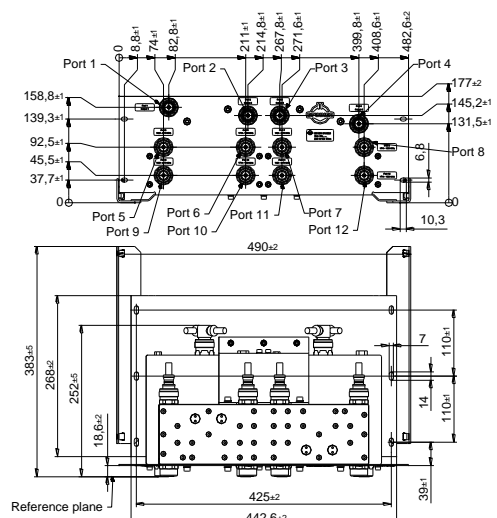
No.	In-/ Output	MHz	No.	In-/ Output	MHz
Port 1	Output 1		Port 7	Input	694 - 960 MHz
Port 2	Output 2		Port 8	Input	1710 - 2170 MHz
Port 3	Output 3		Port 9	Input	694 - 960 MHz
Port 4	Output 4		Port 10	Input	1710 - 2170 MHz
Port 5	Input	694 - 960 MHz	Port 11	Input	694 - 960 MHz
Port 6	Input	1710 - 2170 MHz	Port 12	Input	1710 - 2170 MHz

Standard:

7-16 female (50 ohms): CECC 22190, IEC 61169-4

Modification reserved!

BN 610649



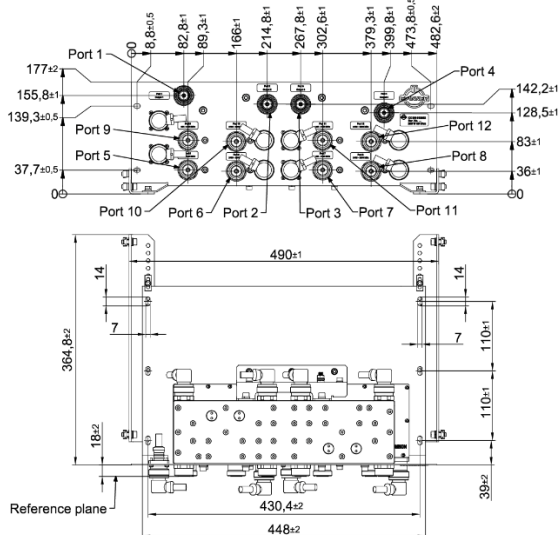
No.	In-/ Output	MHz	No.	In-/ Output	MHz
Port 1	Output 1		Port 7	Input	1920 - 2170 MHz
Port 2	Output 2		Port 8	Input	1710 - 1880 MHz
Port 3	Output 3		Port 9	Input	1920 - 2170 MHz
Port 4	Output 4		Port 10	Input	1710 - 1880 MHz
Port 5	Input	1920 - 2170 MHz	Port 11	Input	1920 - 2170 MHz
Port 6	Input	1710 - 1880 MHz	Port 12	Input	1710 - 1880 MHz

Standard:

7-16 female (50 ohms): CECC 22190, IEC 61169-4

Modification reserved!

BN 610650



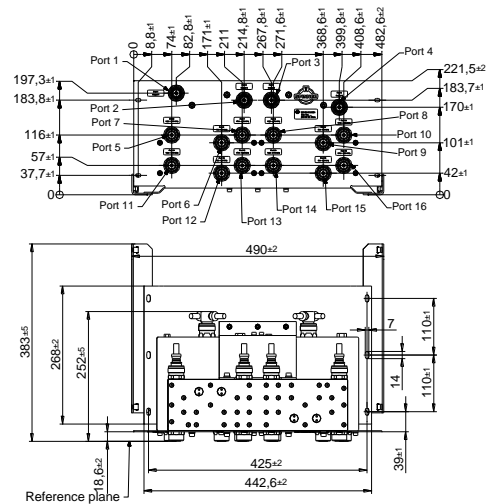
No.	In-/ Output	MHz	No.	In-/ Output	MHz
Port 1	Output 1		Port 7	Input	694 - 2170 MHz
Port 2	Output 2		Port 8	Input	2496 - 2690 MHz
Port 3	Output 3		Port 9	Input	694 - 2170 MHz
Port 4	Output 4		Port 10	Input	2496 - 2690 MHz
Port 5	Input	694 - 2170 MHz	Port 11	Input	694 - 2170 MHz
Port 6	Input	2496 - 2690 MHz	Port 12	Input	2496 - 2690 MHz

Standard:

7-16 female (50 ohms): CECC 22190, IEC 61169-4

Modification reserved!

BN 610652



No.	In-/ Output	MHz	No.	In-/ Output	MHz
Port 1	Output 1		Port 9	Input	694 - 960 MHz
Port 2	Output 2		Port 10	Input	1710 - 1880 MHz
Port 3	Output 3		Port 11	Input	1920 - 2170 MHz
Port 4	Output 4		Port 12	Input	694 - 960 MHz
Port 5	Input	1920 - 2170 MHz	Port 13	Input	1710 - 1880 MHz
Port 6	Input	694 - 960 MHz	Port 14	Input	1920 - 2170 MHz
Port 7	Input	1710 - 1880 MHz	Port 15	Input	694 - 960 MHz
Port 8	Input	1920 - 2170 MHz	Port 16	Input	1710 - 1880 MHz

Standard:

7-16 female (50 ohms): CECC 22190, IEC 61169-4

Modification reserved!

BN 610651