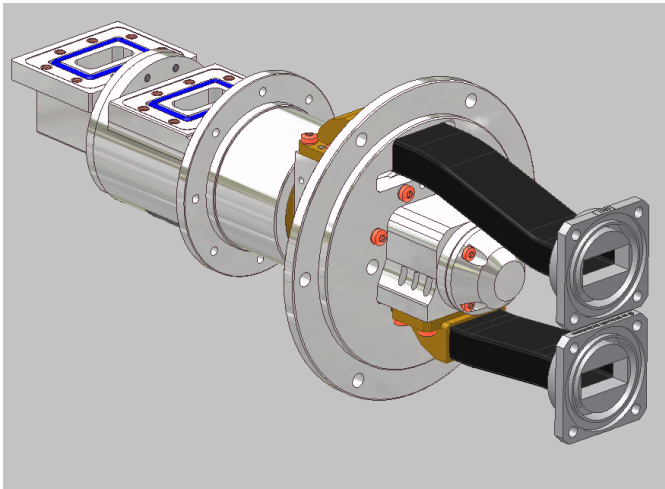


## 2 Channel Rotary Joint || BN 635246



Outline and dimensions as per drawing 635246-0E, Issue B

### Radio frequency channel characteristics

Channel designation	Channel 1	Channel 2
Interface type / material / surface finish	See 635246-0E	See 635246-0E
Interface orientation	Style L	Style L
Frequency range	9.0 to 9.5 GHz	9.0 to 9.5 GHz
Peak power capability	70 kW	70 kW
Average power capability	100 W	100 W
VSWR, max.	1.3 (typ. 1.2)	1.3 (typ. 1.2)
VSWR variation over rotation, max.	0.05	0.05
Insertion loss, max.	0.3 dB	0.5 dB (typ. 0.4 dB)
Insertion loss variation over rotation, max.	0.05 dB	0.05 dB
Phase variation over rotation, max.	1 deg.	1 deg.
Isolation, min.	70 dB	

## 2 Channel Rotary Joint || BN 635246

**General mechanical data**

Differential operating pressure, nominal	1 x 10 <sup>5</sup> Pa (1 bar)
Differential operating pressure, max.	2 x 10 <sup>5</sup> Pa (2 bar)
Absolute operating pressure, min.	1.7 x 10 <sup>5</sup> Pa (1.7 bar)
Leakage rate, max.	20 cm <sup>3</sup> /minute @ nominal differential pressure
Rotating speed, nominal	60 rpm
MTBF, min.	400 000 h
Axial load on interface, max. stationary part / rotating part	±20 N / ±5 N
Radial load on interface, max. stationary part / rotating part	±5 N / ±3 N
Case material	aluminum alloy
Case surface finish	painted RAL 9010
Weight, max.	1.9 kg
Marking	adhesive label

**General environmental conditions**

<b>Operation</b>	
Ambient temperature range	-40 to +70°C
Relative humidity, max.	100%
IP protection level	IP65 per EN 60529 (all interfaces connected with appropriate gaskets)
<b>Storage</b>	
Ambient temperature range	-45 to +80°C
Relative humidity, max.	95% (non-condensing)