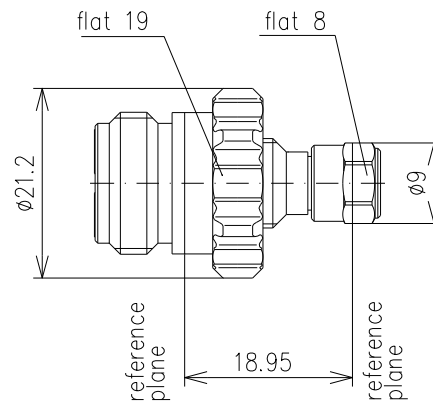


PRECISION INTER-SERIES ADAPTOR || BN 640625



all dimensions in millimeter

Radio frequency characteristics

Interface type	N socket per IEC 61169-16 / 3.5 mm plug per IEC 60169-23
Frequency range	DC to 18 GHz
Impedance	50 Ω
Return loss, min.	42 dB @ DC to 2 GHz 38 dB @ 2 to 6 GHz 32 dB @ 6 to 12 GHz 30 dB @ 12 to 18 GHz

General mechanical data

Center conductor material / surface finish	CuBe age hardened / gold-plated
Outer conductor material / surface finish	copper alloy / gold-plated
Insulation	cross linked polystyrene
Other metallic parts / surface finish	copper alloy / nickel-plated
Weight, approx.	30 g

General environmental conditions

Operation	
Ambient temperature range	+18 to +28°C
Storage	
Ambient temperature range	-40 to +70°C

Scope of delivery and accessories

Scope of delivery	protective caps, test report
-------------------	------------------------------

SPINNER GmbH | This document is proprietary to us. All rights reserved. Any use, transfer, or reproduction of this document or the know-how contained therein requires our express consent.

Template TD-00003F