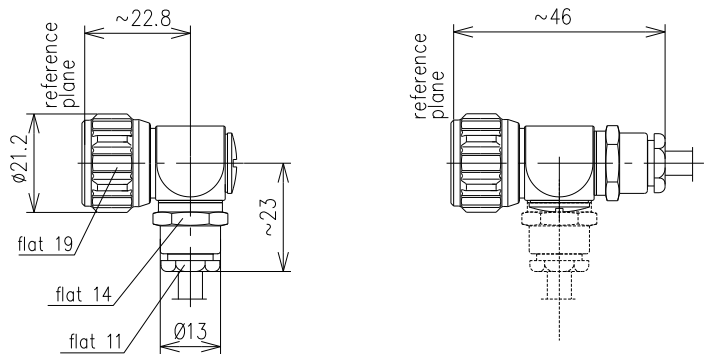


RIGHT ANGLE CABLE PLUG-TYPE N



<b>Part number</b>	<b>BN 72 12 80</b>	
Connector type	N plug	
Version	clamped	
Impedance	50 Ω	
Frequency range	0 - 1 GHz	1 - 2 GHz
VSWR	≤ 1.15	≤ 1.2
Material and surface		
Inner conductor	copper alloy	gold-plated
Outer conductor	copper alloy	silver-plated
Other metal parts	copper alloy	bright nickel-plated
Insulation	PTFE	
Sealing	copper silicone rubber, PUR	silver-plated
Degree of protection	IP68 (mated)	
Cable compatibility	RG 223/U, RG 58C/U, RG 400/U, RG 142B/U	
Standards	IEC 61169-16	
Installation instructions	M30607	
Weight	approx. 0.053 kg	
Included in delivery	installation instructions	
Delivery status	cable clamp attached separately	