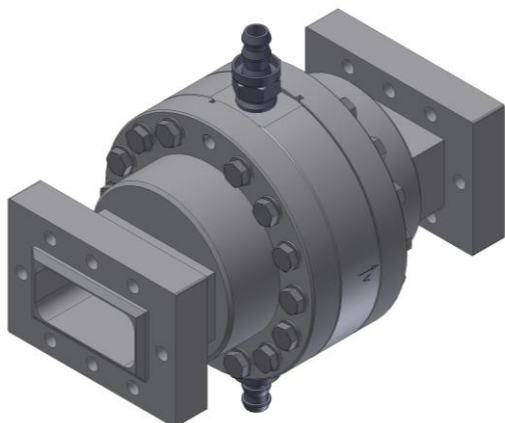


R 32 Pressure Window UHV || BN 769923



**Radio frequency characteristics**

Interface type / material / surface finish	LIL-flange / stainless steel / copper plated
Frequency range	2.998 GHz ± 5 MHz
Peak power capability	45 MW*
Average power capability	30 kW*
Insertion loss, max.	0.1 dB
VSWR, max.	1.05

\*) Conditions:

- Waveguide pressurized with SF<sub>6</sub> at absolute pressure . . . . . 0.4 MPa (4 bar)
- Waveguide evacuated to absolute pressure, max. . . . . 1 · 10<sup>-5</sup> Pa (1 · 10<sup>-6</sup> mbar)
- Temperature of waveguide, max. . . . . 40°C
- Pulse width, max. . . . . 6 μs
- Pulse repetition rate, max. . . . . 200 Hz
- Load VSWR, max. . . . . ∞

**Mechanical data**

Differential operating pressure, max.	0.3 MPa (3 bar)
Leakage rate, max.	1 · 10 <sup>-10</sup> Pa·m <sup>3</sup> /s (1 · 10 <sup>-9</sup> mbar·l/s)
Waveguide material	OFHC Copper or stainless steel, copper plated
Surface finish	painted on request
Interface water cooling	Swagelok Push-On compatible for hose DN ½"
Absolute operating pressure for water cooling, max.	8 · 10 <sup>5</sup> Pa (8 bar)
Bakeable to	170 °C (if selected without painting)
IP protection level	IP64 per EN 60529 (all interfaces connected with appropriate gaskets)
Weight, approx.	15 kg
Marking	adhesive label

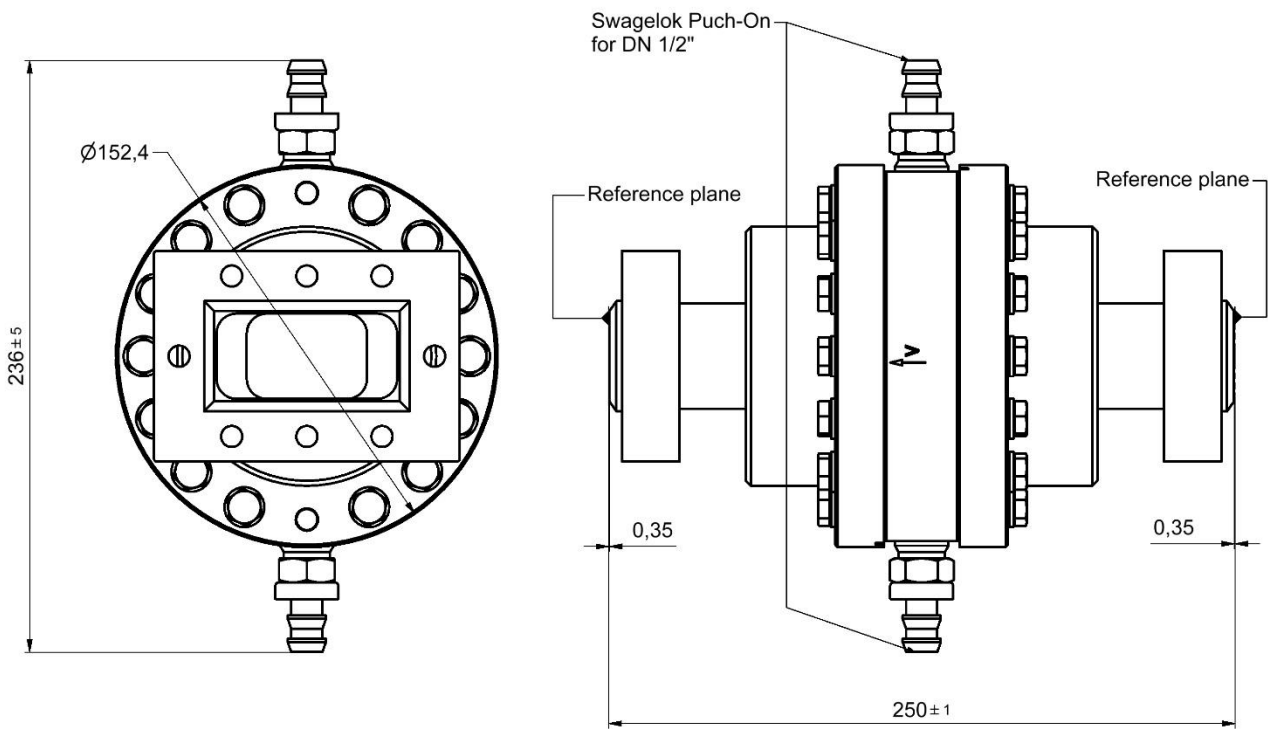
Template TD-00002P

R 32 Pressure Window UHV || BN 769923

**Environmental conditions**

<b>Operation</b>	
Ambient temperature range	+10 to +50°C
Relative humidity, max.	95% (non-condensing)
<b>Storage</b>	
Ambient temperature range	-20 to +50°C
Relative humidity, max.	95% (non-condensing)

**Outline (all dimensions in millimeter)**



R 32 Pressure Window UHV || BN 769923

