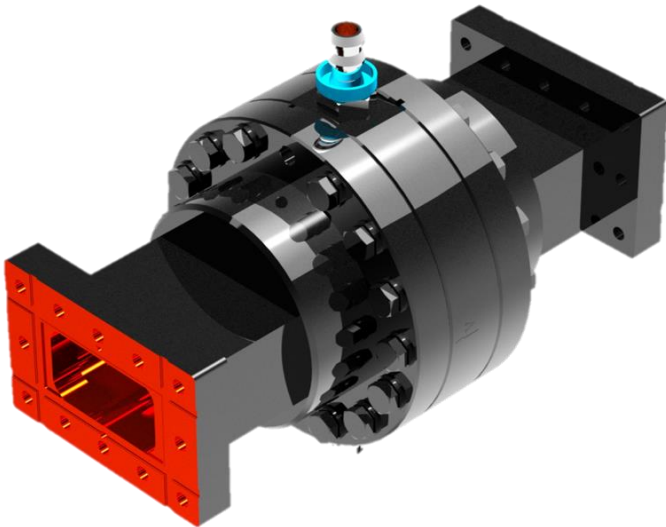


R 32 Pressure Window UHV || BN 769926



Radio frequency characteristics

Interface type / material / surface finish	R32 DESY flange, stainless steel, copper plated
Frequency range	2.998 GHz ± 5 MHz
Peak power capability	45 MW*
Average power capability	30 kW*
Insertion loss, max.	0.1 dB
VSWR, max.	1.05

*) Conditions:

- Waveguide pressurized with SF₆ at absolute pressure 0.4 MPa (4 bar)
- Waveguide evacuated to absolute pressure, max. 1 · 10⁻⁵ Pa (1 · 10⁻⁶ mbar)
- Temperature of waveguide, max. 40°C
- Pulse width, max. 6 μs
- Pulse repetition rate, max. 200 Hz
- Load VSWR, max. ∞

Mechanical data

Differential operating pressure, max.	0.3 MPa (3 bar)
Leakage rate, max.	1 · 10 ⁻¹⁰ Pa·m ³ /s (1 · 10 ⁻⁹ mbar·l/s)
Waveguide material	OFHC Copper or stainless steel, copper plated
Surface finish	painted on request
Interface water cooling	Swagelok Push-On compatible for hose DN ½"
Coolant flow rate, min.	≥ 5 l/min
Absolute operating pressure for water cooling, max.	8 · 10 ⁵ Pa (8 bar)
Bakeable to	170 °C (if selected without painting)
IP protection level	IP64 per EN 60529 (all interfaces connected with appropriate gaskets)
Weight, approx.	15 kg
Marking	adhesive label

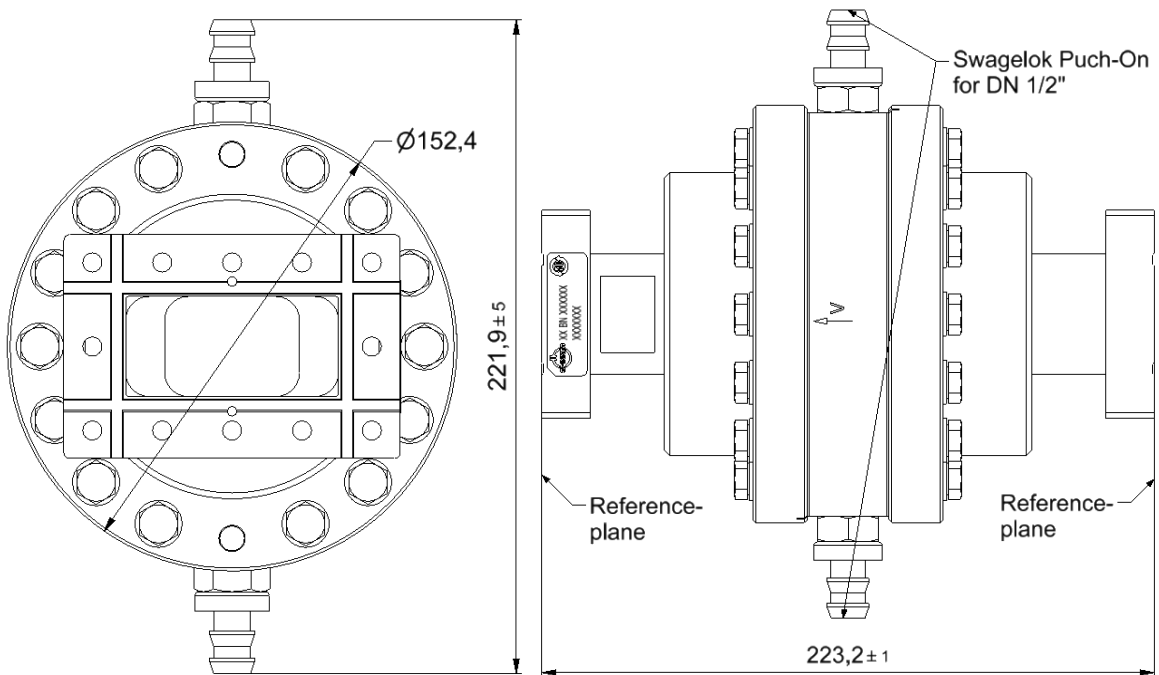
Template TD-00002P

R 32 Pressure Window UHV || BN 769926

Environmental conditions

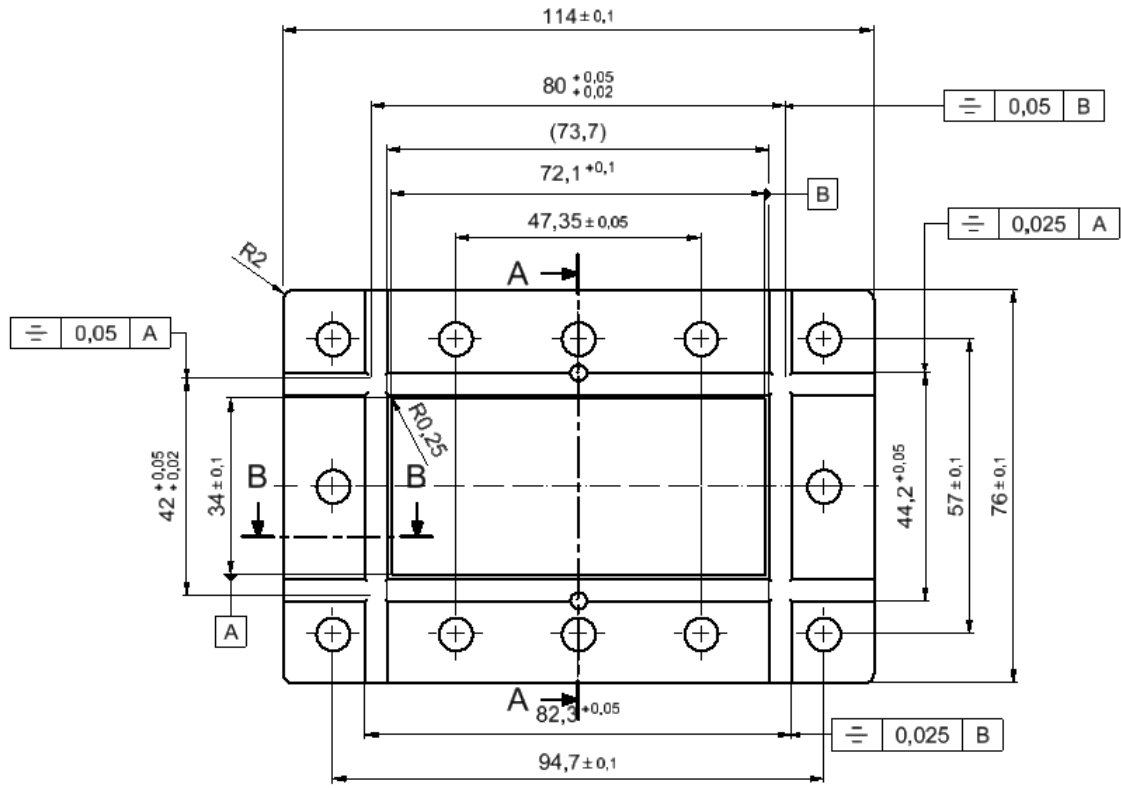
Operation	
Ambient temperature range	+10 to +50°C
Relative humidity, max.	95% (non-condensing)
Storage	
Ambient temperature range	-20 to +50°C
Relative humidity, max.	95% (non-condensing)

Outline (all dimensions in millimeter)



R 32 Pressure Window UHV || BN 769926

Outline Interface R32 DESY flange (all dimensions in millimeter)



A-A (1:1)

