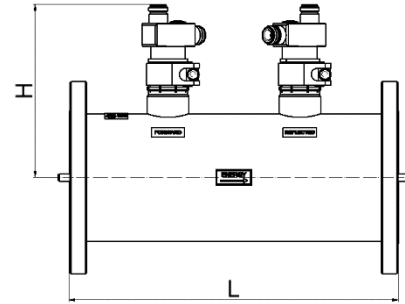


2-WAY DIRECTIONAL COUPLER 4 1/2" EIA || BN 80 03 64

- suitable in a wide frequency range
- variable coupling factor
- low VSWR, high directivity
- extremely compact
- for indoor application



BN 80 03 64

Part number	BN 80 03 64 BN 80 03 64 C3000	
Frequency range	10 MHz to 860 MHz	
Proof voltage (at sea level)	≤ 19.0 kV	
Average power	10 MHz 50 MHz 100 MHz 230 MHz 860 MHz	≤ 350 kW ≤ 155 kW ≤ 112 kW ≤ 74 kW ≤ 38 kW
Coupling range	10 MHz 50 MHz 108 MHz 230 MHz 860 MHz	66 – 98 dB 52 – 85 dB 46 – 78 dB 38 – 71 dB 32 – 60 dB See diag.1
VSWR main line	≤ 1.04 (10 MHz to 860 MHz)	
Variation of coupling attenuation	$20 \log \frac{f_{Ref}}{f_{Searched}}$	
Coupling tolerance, max.	± 0.1 dB	
Directivity	≥ 35 dB (10 MHz to 860 MHz)	
Insertion loss	≤ 0.05 dB	
Connectors main line	4 1/2" EIA	
Connectors coupled line	N female	
Termination load 1W	Not included (BN800364) 1W included(BN800364C3000) ¹⁾	
Dimensions (L x H) mm	275 x 166	
Weight	5.4 kg	
Environmental conditions	See TD-00060	

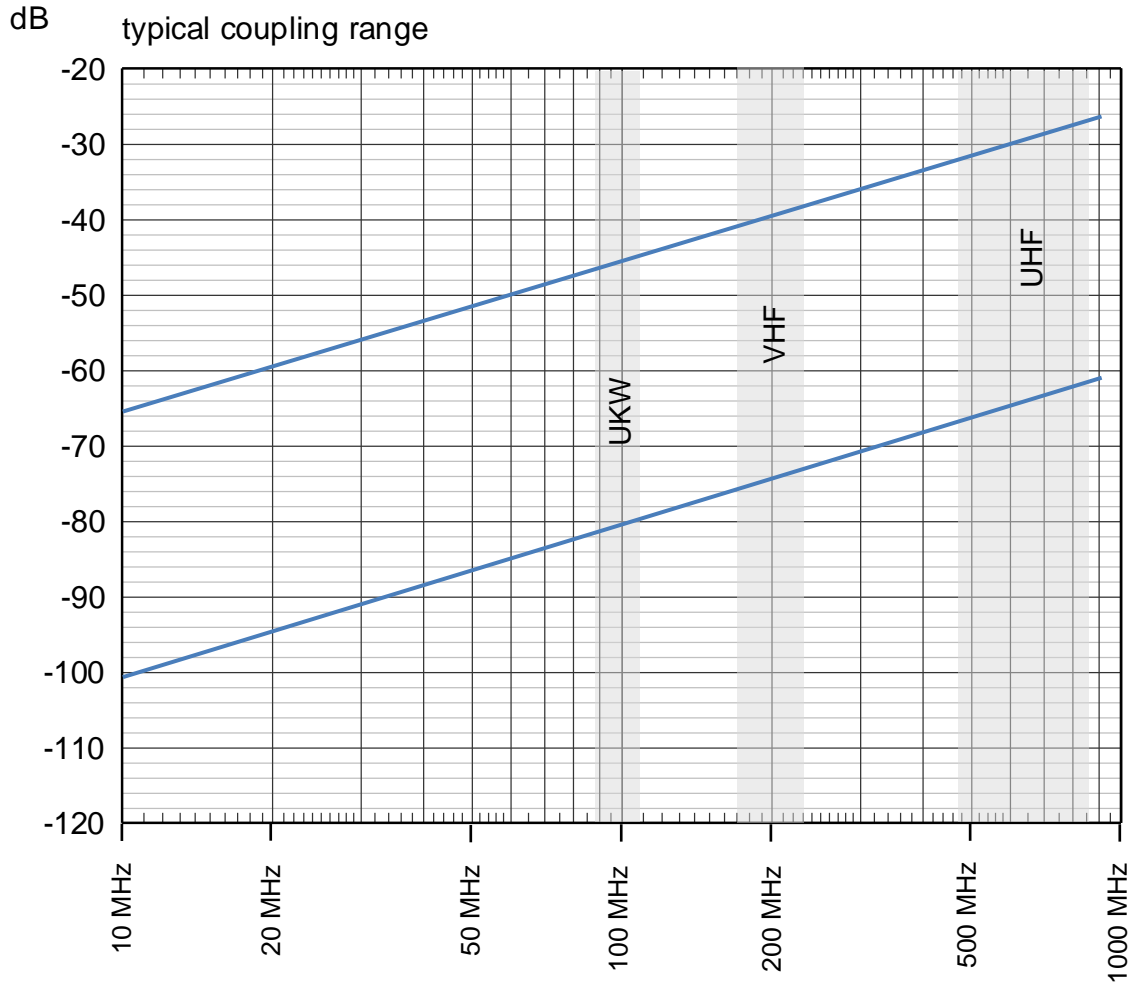
¹⁾ Please take care that with the chosen coupling attenuation not more than 1 W appears at a port of the coupled line.

This document is proprietary to us. All rights reserved. Any use, transfer, or reproduction of this document or the know-how contained therein requires our express consent.

Template TD-00002

2-WAY DIRECTIONAL COUPLER 4 1/2" EIA || BN 80 03 64

diagram 1



SPINNER GmbH
This document is proprietary to us.
All rights reserved. Any use, transfer, or reproduction of this document
or the know-how contained therein requires our express consent.

Template TD-00002