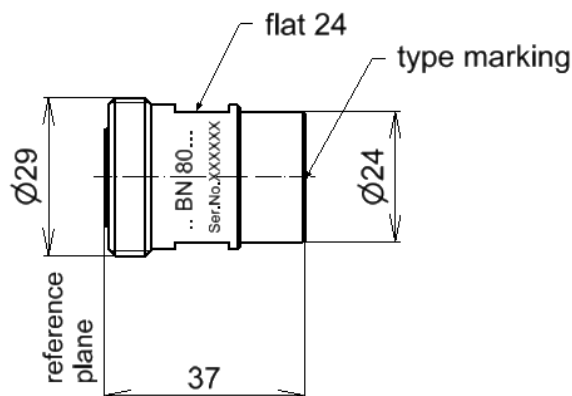
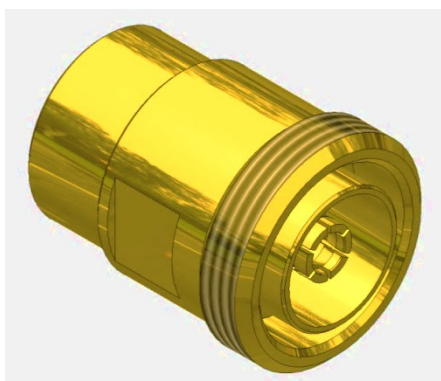


PRECISION SHORT || BN 806504R000



all dimensions in millimeter

Radio frequency characteristics ¹⁾

Interface type	7-16 socket per IEC 61169-4
Frequency range	DC to 7.5 GHz
Impedance	50 Ω
Phase deviation, max.	0.5 deg. @ DC to 3 GHz 1 deg. @ 3 to 6 GHz 1.5 deg. @ 6 to 7.5 GHz

General mechanical data

Center conductor material / surface finish	CuBe age hardened / gold-plated
Outer conductor material / surface finish	copper alloy / gold-plated
Weight, approx.	0.11 kg
Marking	laser engraving

General environmental conditions

Operation	
Ambient temperature range	+18 to +28°C
Storage	
Ambient temperature range	-40 to +70°C
Relative humidity	0 - 95% at 40 °C, non condensing

Scope of delivery and accessories

Scope of delivery	certificate of calibration, calibration data, handling instructions
-------------------	---

¹⁾ The specifications for the short are given as allowed deviation from the nominal model as defined in the calibration data. Calibration data in formats for the common VNAs are included in the delivery. It includes offset length and individual calibration coefficients to achieve the best possible performance.