

## 4-Way Power Combiner 8.8 kW | BN 818213C0002



typical illustration

### Radio frequency characteristics

Connectors	Input 4 x 1 5/8" EIA (50 Ω) per IEC 60339-2 Output 1 x 3 1/8" EIA (50 Ω) per IEC 60339-2
Application	Power combiner for balanced feeding of all inputs (equal amplitudes and phases)
Frequency range	80.5 MHz
Average input power rating, max.	4 x 2.2 kW cw
Average output power rating, max.	8.8 kW cw
Power ratio	1:4
Phase balance	± 3°
Impedance at input ports	50 Ω
Coupling attenuation	6 dB ± 0.1 dB
Insertion loss, max. (without combining loss)	0.1 dB
Return loss, min. <sup>RF1)</sup>	29 dB (VSWR 1.07)
Proof voltage	8.4 kV
DC-short	No
Load VSWR max. cw operation	Inf.

<sup>RF1)</sup> Conditions: - Measured at output port

### Mechanical characteristics

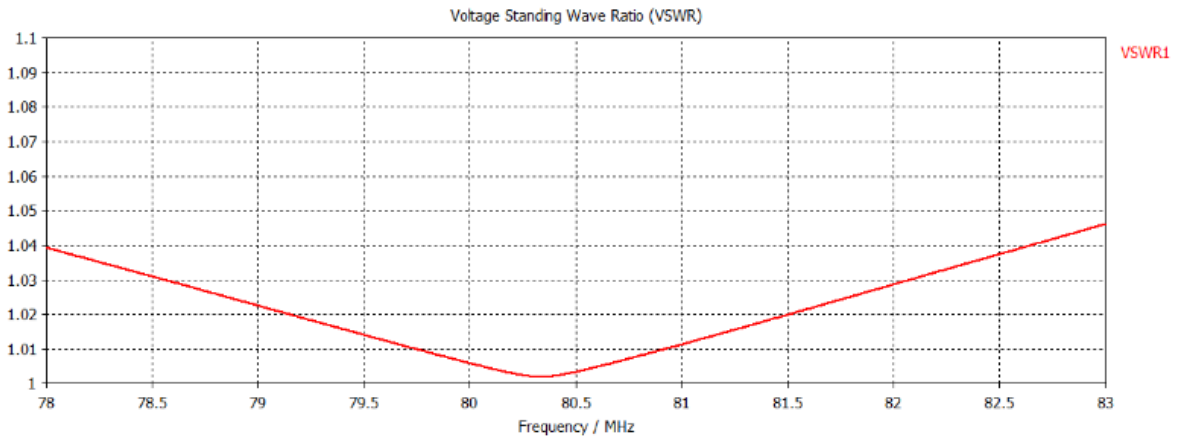
Materials / surfaces	copper alloy, aluminum alloy, stainless steel, PTFE / silver
Weight, approx.	ca. 4.8 kg
Dimensions (L x W x H) mm	see "Outline drawing" below
Ambient temperature range	-10 °C to +55 °C
Relative humidity, max.	95% (non-condensing)
Environmental conditions	ETSI EN 300 019-1-3 V2.3.2 (2009-1) class 3.1 N (for limitations see "Environmental Conditions for Broadcast Products" TD-00060)

SPINNER GmbH  
 This document is proprietary to us.  
 All rights reserved. Any use, transfer, or reproduction of this document  
 or the know-how contained therein requires our express consent.

Template 10014403.dotx

## 4-Way Power Combiner 8.8 kW | BN 818213C0002

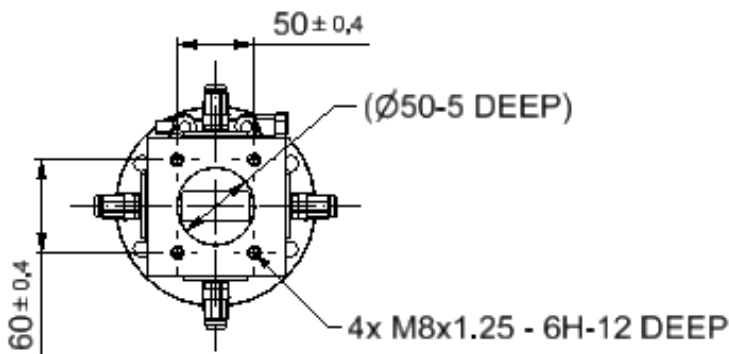
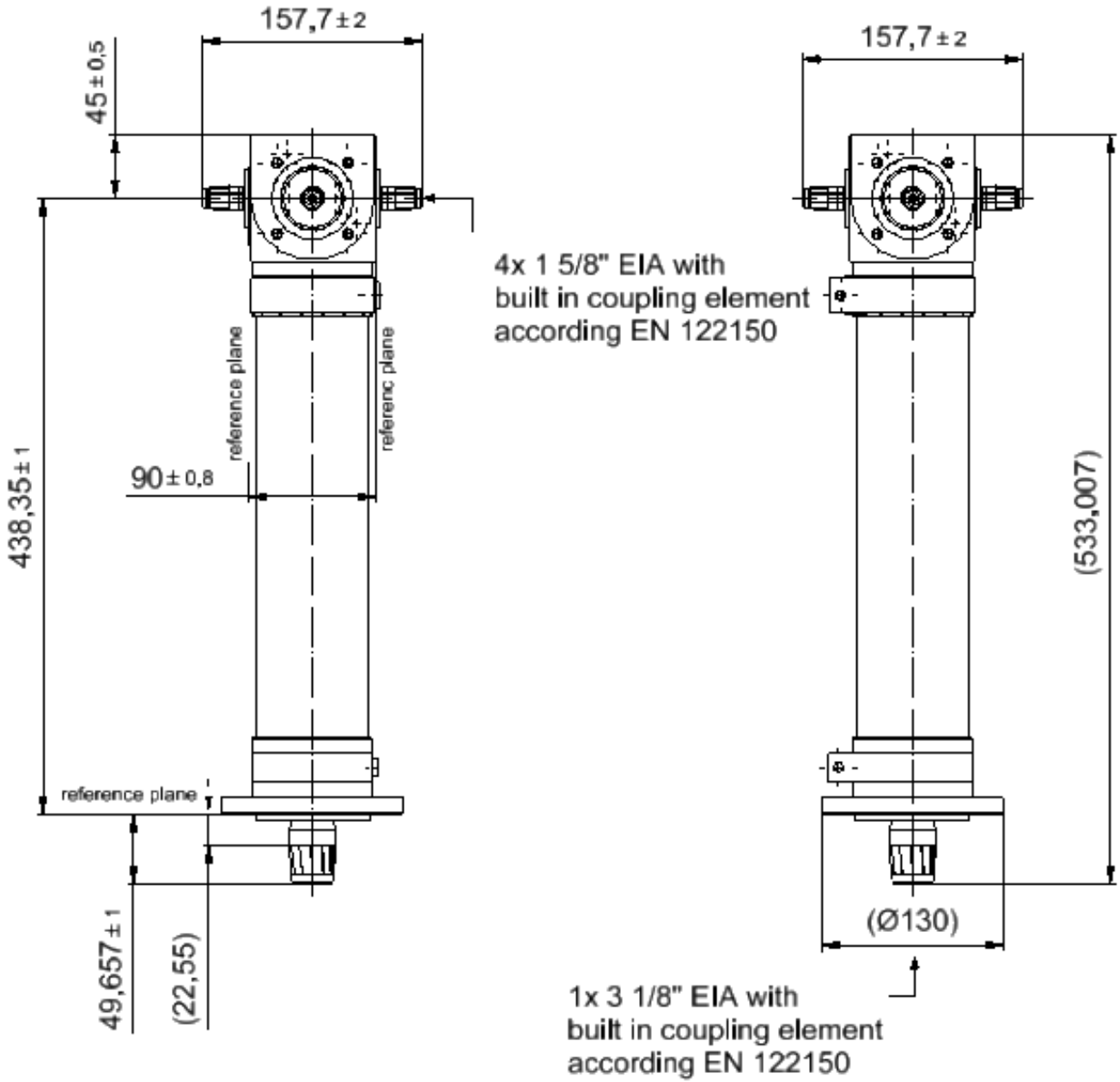
### Typical values



SPINNER GmbH  
This document is proprietary to us.  
All rights reserved. Any use, transfer, or reproduction of this document  
or the know-how contained therein requires our express consent.

4-Way Power Combiner 8.8 kW | BN 818213C0002

Outline (all dimensions in millimeter)



SPINNER GmbH  
This document is proprietary to us.  
All rights reserved. Any use, transfer, or reproduction of this document  
or the know-how contained therein requires our express consent.

Template 10014403.dotx