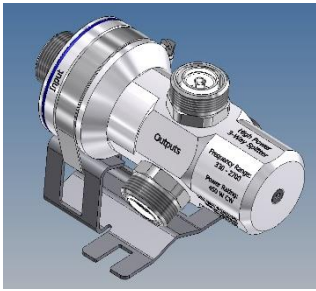
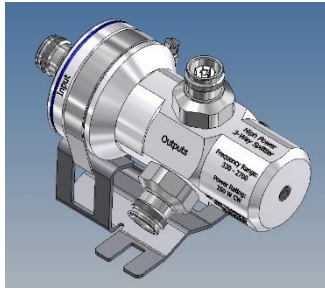


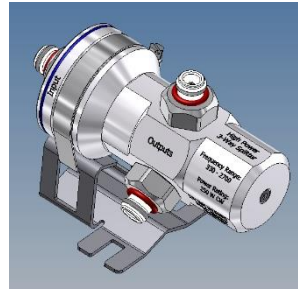
Coaxial 3-Way-Splitter



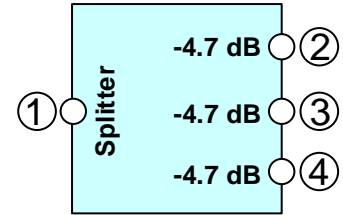
BN 818290



BN 818293



BN 923090



Block diagram

Electrical characteristics

Part number	BN 818290	BN 818293	BN 923090
Connectors	7-16 female	4.3-10 female	N female
Splitting ratio	1 : 0.33 : 0.33 : 0.33		
Frequency range:	330 – 2700 MHz		
Port 1	Input		
Port 2, 3, 4	Output		
Output difference	≤ 0.5 dB		
Insertion loss:	≤ 5.0 dB		
VSWR	Port 1	≤ 1.2	
Return Loss	Port 2,3,4 *	≤ -3dB	
Power Rating:	450 W CW @ - 40 to +55°C 250 W CW @ + 55 to +75°C	450 W CW @ - 40 to +55°C 250 W CW @ + 55 to +75°C	250 W CW @ - 40 to +55°C 120 W CW @ + 55 to +75°C
Passive intermodulation (IM3), 3rd order @ 2 x 20W	-160 dBc max.		
Impedance	50 Ohm		

\* According to DIN 14024-1

Mechanical characteristics

Dimensions, approx.	See drawing
Weight, approx.	1.1 kg
Materials	Aluminum alloy, sea waterproof (housing) Copper alloy, plated (connectors) Stainless steel (clamp and mounting bracket)
Wall / Mast mounting	part of delivery

Environmental conditions

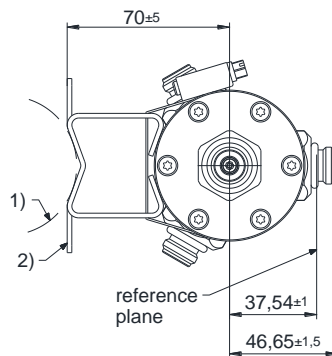
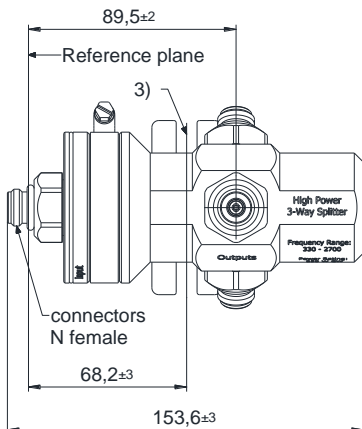
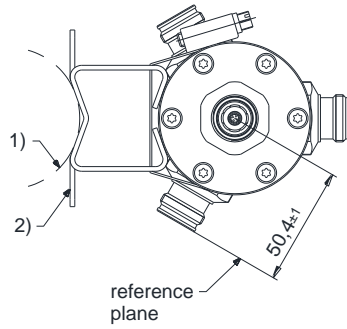
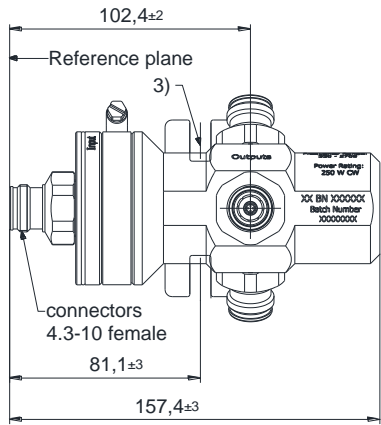
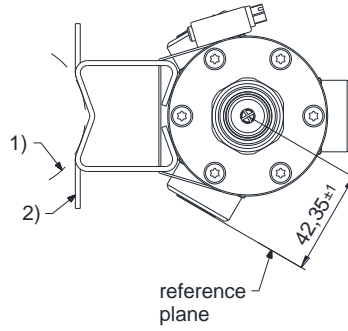
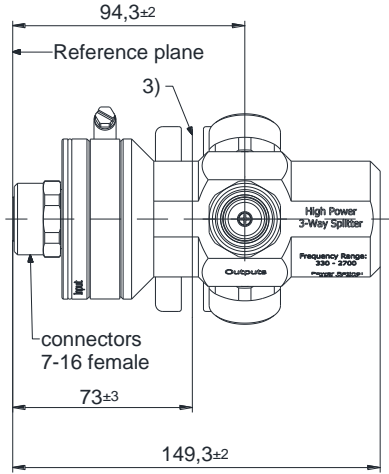
Class. of environmental conditions	ETSI EN 300019-1-1 Class 1.2 ETSI EN 300019-1-2 Class 2.3 ETSI EN 300019-1-4 Class 4.1E
Degree of protection	indoor & outdoor / IP 68
Operation Ambient temperature range	-40 °C to +55 °C
Storage Ambient temperature range	-40 °C to +85 °C
Relative humidity, max.	95% (non-condensing)

This document is proprietary to us. All rights reserved. Any use, transfer, or reproduction of this document or the know-how contained therein requires our express consent.

SPINNER GmbH  
 Template TD-00002Y

# Coaxial 3-Way-Splitter

## Outline (all dimensions in millimeter)



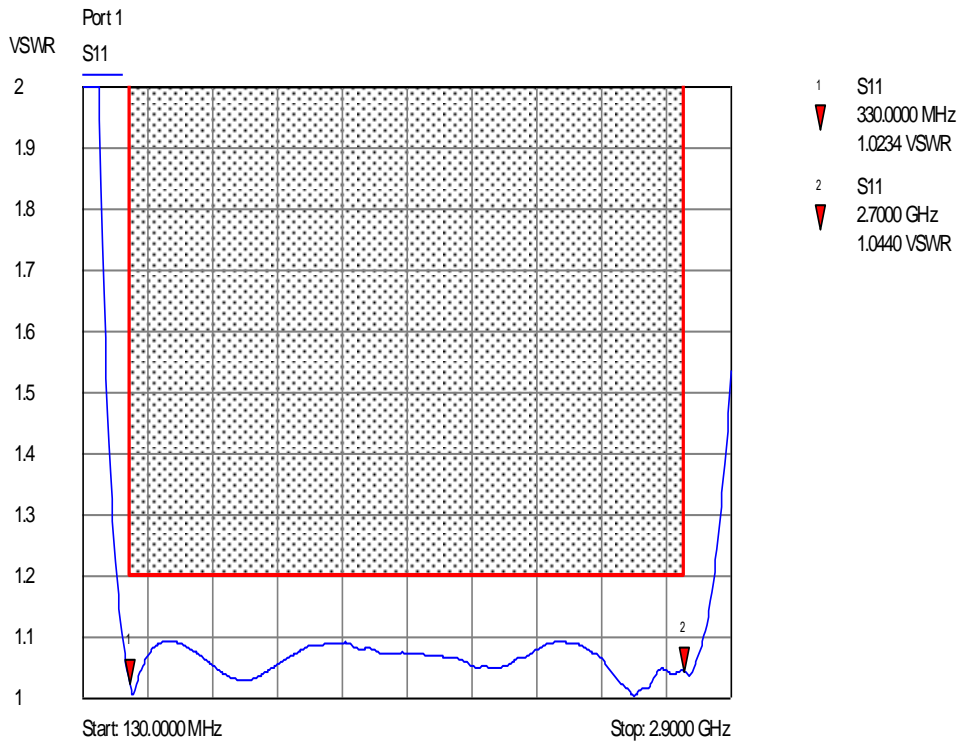
- 1) mast mounting (mast diameter 48 - 110 mm, clamp is not part of delivery)
- 2) wall mounting
- 3) distance of mounting points 45 - 60 mm

SPINNER GmbH  
This document is proprietary to us.  
All rights reserved. Any use, transfer, or reproduction of this document  
or the know-how contained therein requires our express consent.

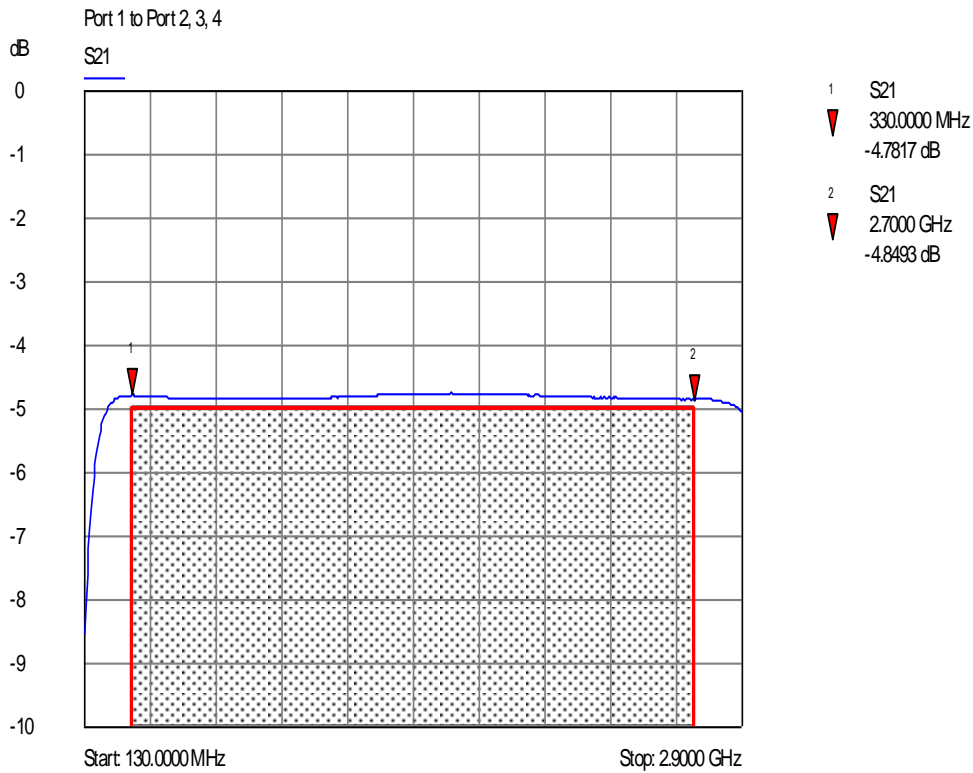
Template TD-00002Y

# Coaxial 3-Way-Splitter

## VSWR:



## Insertion loss:



SPINNER GmbH  
 This document is proprietary to us.  
 All rights reserved. Any use, transfer, or reproduction of this document  
 or the know-how contained therein requires our express consent.

Template TD-00002Y