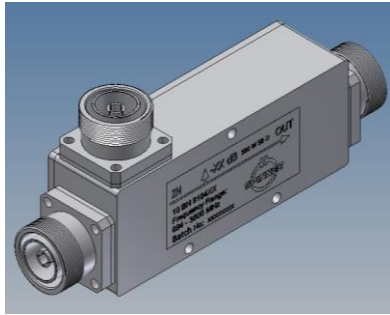
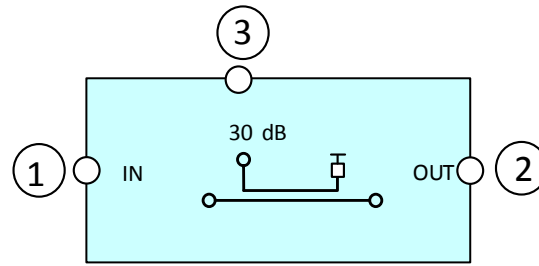


Directional Coupler 4.8dB /6dB /7dB /8dB /10dB /13dB /15dB /20dB /30dB



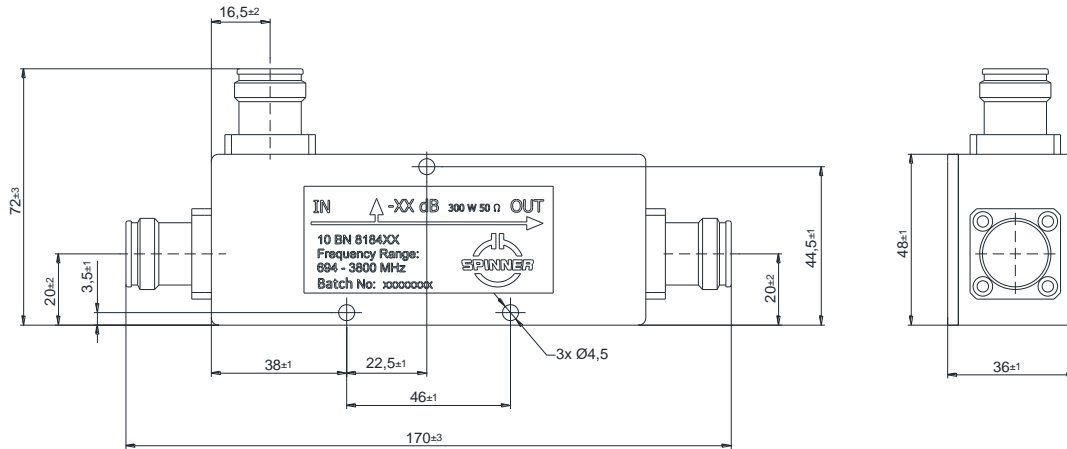
not binding



block diagram
(example:30dB coupler)

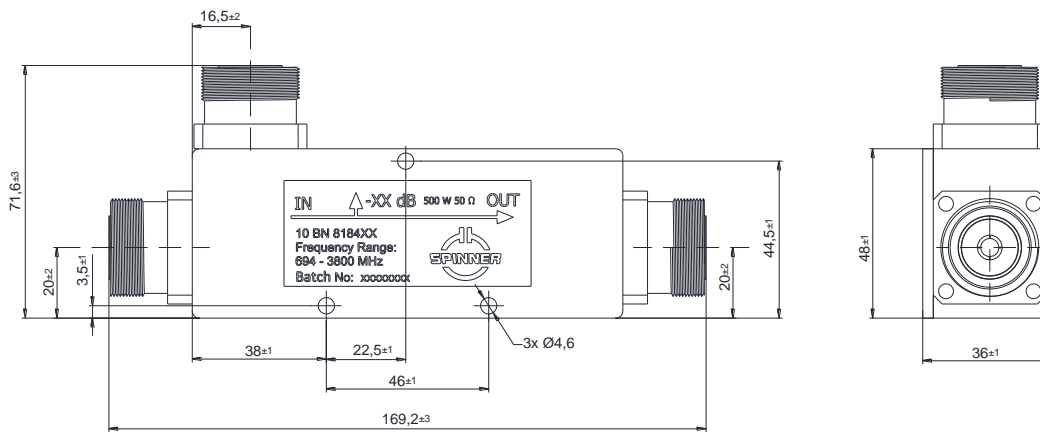
Part number (BN) 4.3 -10 Female (50 Ohms)	818401	818402	818403	818404	818405	818406	818407	818408	818409
Part number (BN) 7-16 Female (50 Ohms)	818410	818411	818412	818413	818414	818415	818416	818417	818418
Part number (BN) N-Female (50 Ohms)	818419	818420	818421	818422	818423	818424	818425	818426	818427
Splitting ratio	1 : 0.33 : 0.67	1 : 0.25 : 0.75	1 : 0.2 : 0.8	1 : 0.16 : 0.84	1 : 0.1 : 0.9	1 : 0.05 : 0.95	1 : 0.03 : 0.97	1 : 0.01 : 0.99	1 : 0.001 : 0.999
Frequency range	694 – 3800 MHz								
Coupling	4.8 dB +1.2/-0.8 dB	6 dB ± 1.0 dB	7 dB ± 1.0 dB	8 dB ± 1.0 dB	10 dB ± 1.0 dB	13 dB ± 1.0 dB	15 dB ± 1.0 dB	20 dB ± 1.0 dB	30 dB ± 1.0 dB
Insertion loss	2.2 dB	1.75 dB	1.4 dB	1.3 dB	1.1 dB	0.7dB	0.5 dB	0.3 dB	0.3 dB
Directivity	≥ 20 dB	≥ 20 dB	≥ 20 dB	≥ 20 dB	≥ 20 dB	≥ 20 dB	≥ 20 dB	≥ 20 dB	≥ 15 dB
VSWR	≤ 1.3								
Power rating	4.3 -10 Female ≤ 300 W 7-16 Female ≤ 500 W N-Female ≤ 300 W								
IM - value 3rd order @ 2 x 20 W	≤ -155 dBc typical ≤ -160 dBc								
DC-by-pass	Port 1 to Port 2 (max. 1A per input max. 60V DC(AISG Standard, 2.0, § 6.4))								
Degree of protection	IP 65 (Outdoor)								
Environmental conditions	ETSI EN 300019-1-1 Class 1.2 ETSI EN 300019-1-2 Class 2.3 ETSI EN 300019-1-4 Class 4.1E								
Weight	4.3 -10 Female 0.68 kg N Female 0.38 kg 7-16 Female 0.68 kg								
Paint color	Grey								
Wall / Mast mounting	4.3 -10 Female to be ordered separately under BN B26399 N Female to be ordered separately under BN B23654 7-16 Female to be ordered separately under BN B26399								
Temperature range	-40 °C – +80 °C								
Dimensions (w x h x d)	See drawing								

Dimensions:



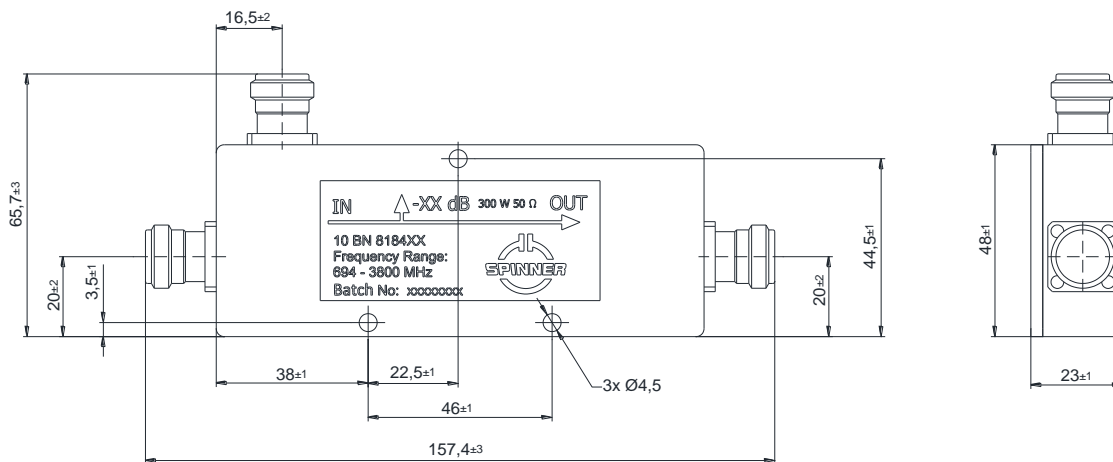
Standard:

4.3-10 female (50 ohms): IEC 61169-54



Standard:

7-16 female (50 ohms): CECC 22190, IEC 61169-4



Standard:

N female (50 ohms): CECC 22210, IEC 61169-16