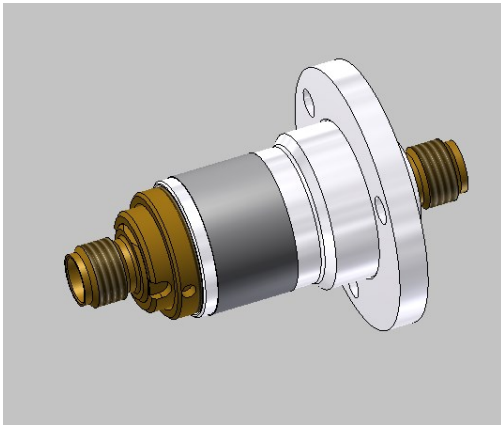


Rotary Joint || BN 835031



**Radio frequency characteristics**

Interface type / material / surface finish	3.5-f (50 Ω) / copper alloy / gold plated
Interface orientation	style I
Frequency range	16 to 21 GHz
Peak power capability	200 W
Average power capability	20 W
VSWR, max.	1.3
VSWR variation over rotation, max.	0.05
Insertion loss, max.	0.4 dB
Insertion loss variation over rotation, max.	0.05 dB

**Mechanical characteristics**

Rotating speed, max. / nominal	60 rpm / 60 rpm
Rotating direction (view from the top)	both directions
Life, min.	200 x 10 <sup>6</sup> revolutions
Torque (room temperature), max.	0.5 Ncm @ start-up 0.5 Ncm @ rotation
Interface loads, max.	±1 N in axial direction ±1 N in radial direction
Case material	aluminum alloy
Case surface finish	chromate conversion coat per MIL-DTL-5541 type 1 or type 2
IP protection level	IP40 per EN 60529 (all interfaces connected with appropriate gaskets)
Weight, approx.	0.03 kg
Marking	adhesive label

Rotary Joint || BN 835031

**Environmental conditions**

<b>Operation</b>	
Ambient temperature range	-40 to +71°C
Relative humidity, max.	95% (non-condensing)
<b>Storage</b>	
Ambient temperature range	-55 to +85°C
Relative humidity, max.	95% (non-condensing)

**Applicable documents**

Drawing	835031-0E, Issue A
Product manual	M36066
Technical information	"Rotary Joints – Glossary", Technical Document TD-00021, Spinner GmbH