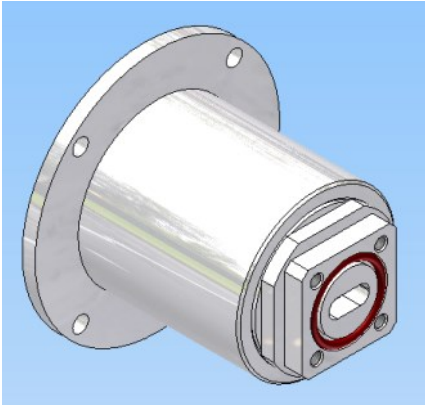


Single Channel Rotary Joint || BN 835074



Outline and dimensions as per drawing: 835074-0E, Issue A
 Product manual: n/a
 Application note: TD-00021

Radio frequency characteristics

Channel designation	Channel 1
Interface type / material / surface finish	PBR260 (IEC154) (modified, fully compatible to IEC154-PBR-260) with threaded holes M3 Aluminum alloy
Interface orientation	Style I
Frequency range	27.0 to 31.0 GHz
Peak power capability	1 kW (operating altitude if not pressurized, max.: 2000 m) 60 W (operating altitude if not pressurized, max.: 11000 m)
Average power capability	100 W
VSWR, max.	1.3
VSWR variation over rotation, max.	0.15
Insertion loss, max.	0.30 dB
Insertion loss variation over rotation, max.	0.15 dB

Mechanical data

Rotating speed, max.	150 rpm
Life, min.	20 x 10 ⁶ revolutions
Torque (room temperature), max.	0.3 Nm
Interface loads, max.	± 5 N in axial direction ± 5 N in radial direction
Case material	Aluminum alloy, sea water resistant
Case surface finish	None
IP protection level	IP65 per EN 60529
Weight, approx.	0.25 kg

Template TD-00002S

Single Channel Rotary Joint || BN 835074

Marking	Laser engraving
---------	-----------------

Environmental conditions

Operation	
Application	Ground, fixed or ground, mobile
Ambient temperature range	-40 to +71 °C
Relative humidity, max.	95% (non-condensing)
Storage	
Ambient temperature range	-55 to +85 °C
Relative humidity, max.	95% (non-condensing)