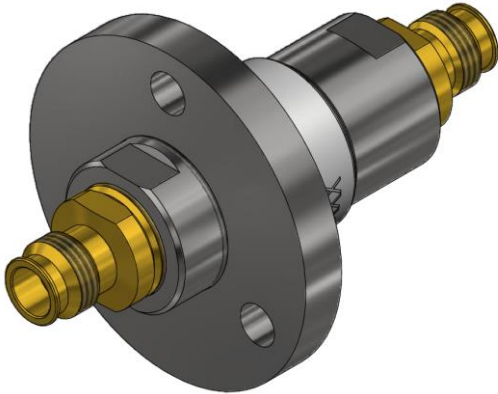


Rotary Joint || BN 835082C0001



**Radio frequency characteristics**

Coaxial interface connector / material / surface finish	1.35-f (50 Ω) / copper alloy / gold plated
Frequency range	DC to 92 GHz
Peak power rating	800 W @ 2.000 m if not pressurized
Average power rating	4 W @ DC to 26.5 GHz 0.8 W @ 26.5 to 70 GHz 0.7 W @ 70 to 90 GHz
VSWR, max.	1.20 @ DC to 26.5 GHz 1.40 @ 26.5 to 70 GHz 1.60 @ 70 to 90 GHz
VSWR variation with rotation, max	0.04 @ DC to 26.5 GHz 0.10 @ 26.5 to 70 GHz 0.15 @ 70 to 90 GHz
Insertion loss, max.	0.5 dB @ DC to 26.5 GHz 0.8 dB @ 26.5 to 70 GHz 1.0 dB @ 70 to 90 GHz
Insertion loss variation with rotation, max.	0.05 dB @ DC to 26.5 GHz 0.15 dB @ 26.5 to 70 GHz 0.3 dB @ 70 to 90 GHz
Transmission phase variation with rotation, max.	2 deg. @ DC to 26.5 GHz 5 deg. @ 26.5 to 70 GHz 7 deg. @ 70 to 90 GHz
DC current rating	0.1 A

**Mechanical characteristics**

Rotating speed, max. / nominal	300 rpm / 200 rpm
Lifetime, min.	0.1 x 10 <sup>6</sup> revolutions
Torque (room temperature), max.	0.5 N cm @ start-up 0.5 N cm @ rotation
Interface loads, max.	±0.5 N in axial direction ±0.5 N in radial direction
Case material	copper alloy and stainless steel
Case surface finish	partially gold plated painted none
IP protection level	IP50
Weight, approx.	0.035 kg
Marking	adhesive label

SPINNER GmbH  
 This document is proprietary to us.  
 All rights reserved. Any use, transfer, or reproduction of this document  
 or the know-how contained therein requires our express consent.

Template TD-00015K

Rotary Joint || BN 835082C0001

**Environmental conditions**

<b>Operation</b>	
Ambient temperature range	-40 to +60°C
Relative humidity, max.	95% (non-condensing)
<b>Storage</b>	
Ambient temperature range	-55 to +85°C
Relative humidity, max.	95% (non-condensing)

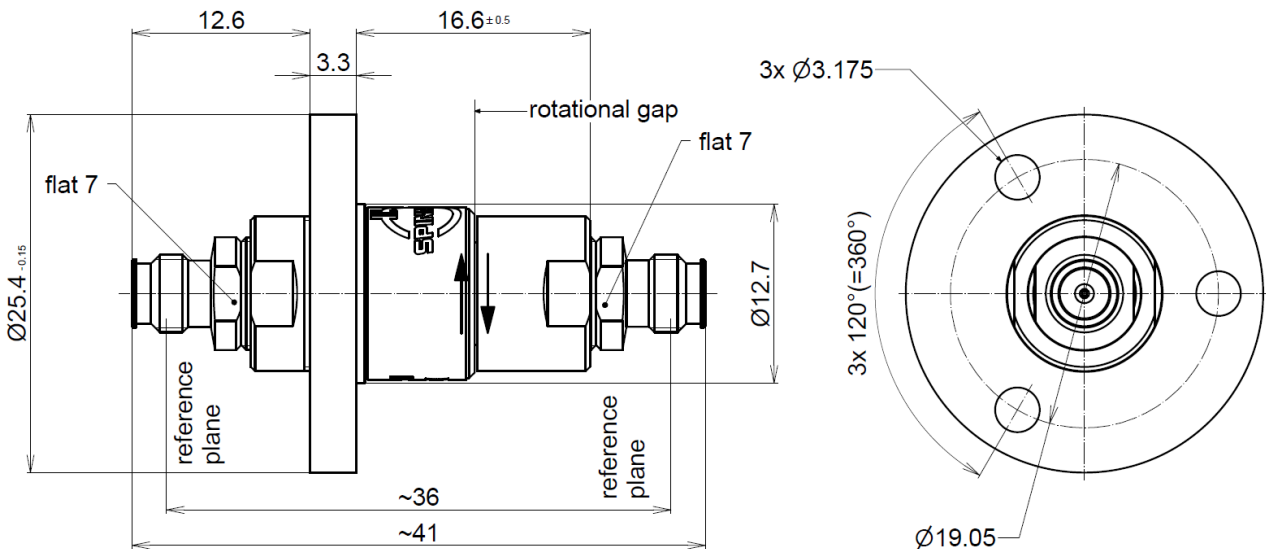
**Scope of delivery and accessories**

Scope of delivery	protective caps
-------------------	-----------------

**Applicable documents**

Technical information	“Rotary Joints – Glossary”, technical document TD-00021, Spinner GmbH
Application note	“Rotary Joints – Installation Guidelines”, technical document TD-00057, Spinner GmbH

**Outline** (all dimensions in millimeter)



This document is proprietary to us. All rights reserved. Any use, transfer, or reproduction of this document or the know-how contained therein requires our express consent.

SPINNER GmbH  
 Template TD-00015K