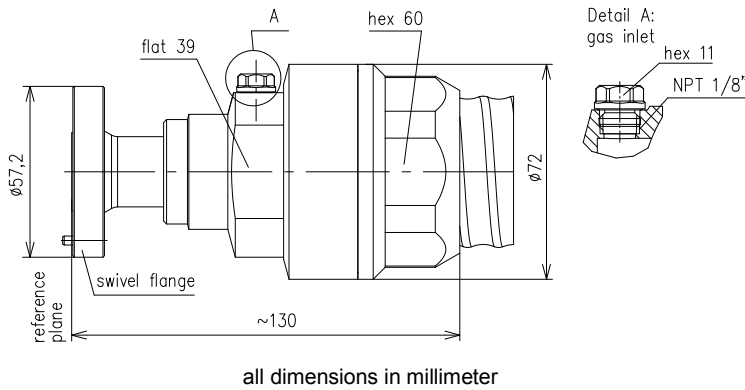


Cable Connector 7/8" EIA for Air Dielectric Cable 1 5/8" || BN 839180



Interface type	7/8" EIA (50 ohms) per 339 IEC 50-22-3	
Frequency range	DC to 2.7 GHz	
VSWR, max.	1.02 @ DC to 1 GHz 1.04 @ 1 to 2.2 GHz 1.06 @ 2.2 to 2.7 GHz	
Peak power capability	90 kW	
Average power capability	3.5 kW @ 900 MHz	
Proof voltage, max.	6 kV	
Inner conductor material / surface finish	copper alloy / silver plated	
Outer conductor material / surface finish	copper alloy / silver plated	
Other metal parts / surface finish	copper alloy / bright nickel plated stainless steel / untreated	
Insulation	PTFE	
Sealing	silicone rubber	
Degree of protection	IP 68 (pressure-tight up to 4 bar / 400 kPa)	
Cable compatibility	CommScope	HJ7-50A
Handling instructions	M36268	
Weight, approx.	1.4 kg	
Operating temperature range	-40°C to +85°C	
Storage temperature range	-70°C to +85°C	
Gas inlet	NPT 1/8"	
Included in delivery	cover, sealing, installation instruction	