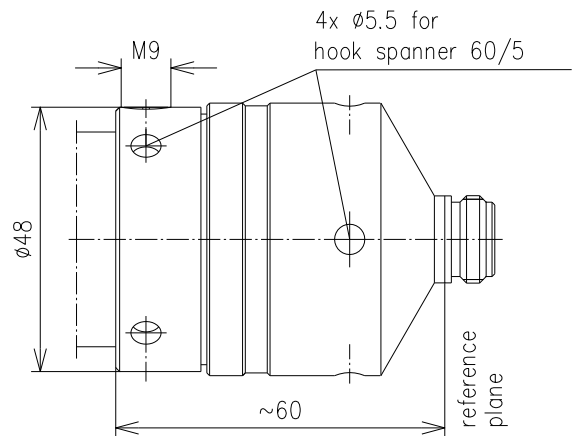


CABLE SOCKET FOR LF 1 1/4"-50-TYPE N



Part number	BN 84 63 42			
Connector type	N socket			
Version	CAF®			
Impedance	50 Ω			
Frequency range	0 - 1 GHz	≤ 1 - 2.2 GHz	≤ 2.2 - 2.7 GHz	≤ 2.7 - 3.3 GHz
VSWR	≤ 1.02	≤ 1.04	≤ 1.06	≤ 1.08
Material and surface				
Inner conductor	copper alloy		silver-plated	
Outer conductor	copper alloy		silver-plated	
Other metal parts	copper alloy		bright nickel-plated	
Insulation	PTFE			
Sealing	silicone rubber, PLAST 2000®			
Degree of protection	IP68 (mated)			
Cable compatibility	RFS	UCF 114-50 A, LCFS 114-50 A		
Standards	IEC 61169-16			
Installation instructions	M30796			
Weight	approx. 0.4 kg			
Included in delivery	cover, installation instructions			