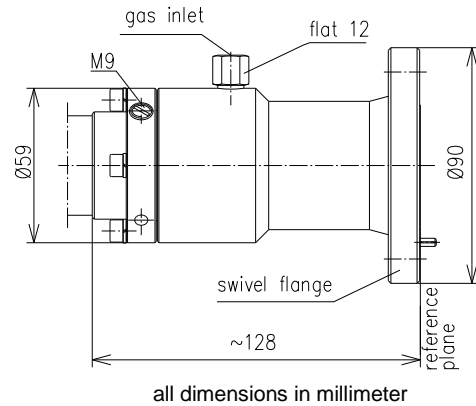


Cable Plug for HCA 118-50, Type 1 5/8" EIA || BN 858210



SPINNER GmbH | This document is proprietary to us. All rights reserved. Any use, transfer, or reproduction of this document or the know-how contained therein requires our express consent.

Interface type	1 5/8" EIA (50 Ω) per IEC 60339-2	
Version	CAF®	
Frequency range	DC to 2.70 GHz	
VSWR, max. / typ.	1.02 @ DC to 1.00 GHz 1.06 @ 1.00 to 2.70 GHz	
Inner conductor material / surface finish	copper alloy / silver plated	
Outer conductor material / surface finish	copper alloy / silver plated	
Other metal parts / surface finish	copper alloy / nickel plated	
Insulation	PTFE	
Sealing	silicone rubber, copper, PLAST2000®	
IP protection level	IP68 per EN 60529 (barrier and mating face sealed)	
Cable compatibility	RFS	HCA 118-50
Installation instructions / Product manual	M30311	
Weight, approx.	1.7 kg	
Scope of delivery	protective cap, cover, sealing, installation instructions	