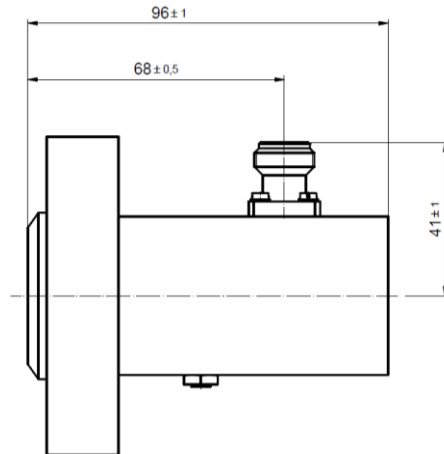
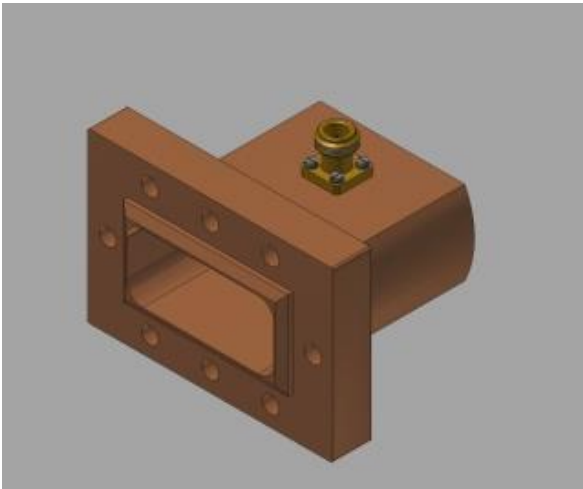


R 32 Waveguide-Coax Adaptor LIL to N-connector || BN 866645



all dimensions in millimeter

Radio frequency characteristics

	BN 866645	BN 866645C0001
Waveguide interface type / material / surface finish	R 32 LIL-flange (WR284), copper alloy, silver plated	
Coax interface type / material / surface finish	N socket, copper alloy, silver plated	
Frequency range	2.60 to 3.95 GHz	2.9985 GHz ±10 MHz
VSWR, max.	1.10	1.03
Average Power, max.	100 W	
Proof Voltage, max.	1,0 kV	

Mechanical data

Material	Copper alloy, stainless steel, PS-X
Case surface finish	Painted black
IP protection level	IP50 per EN 60529 (all interfaces connected with appropriate gaskets)
Weight, approx.	1.65 kg
Marking	adhesive label

Environmental conditions

Operation	
Ambient temperature range	+10 to + 50 °C
Relative humidity, max.	95% (condensing not permitted)
Storage	
Ambient temperature range	-20 to +50 °C
Relative humidity, max.	95% (non-condensing)

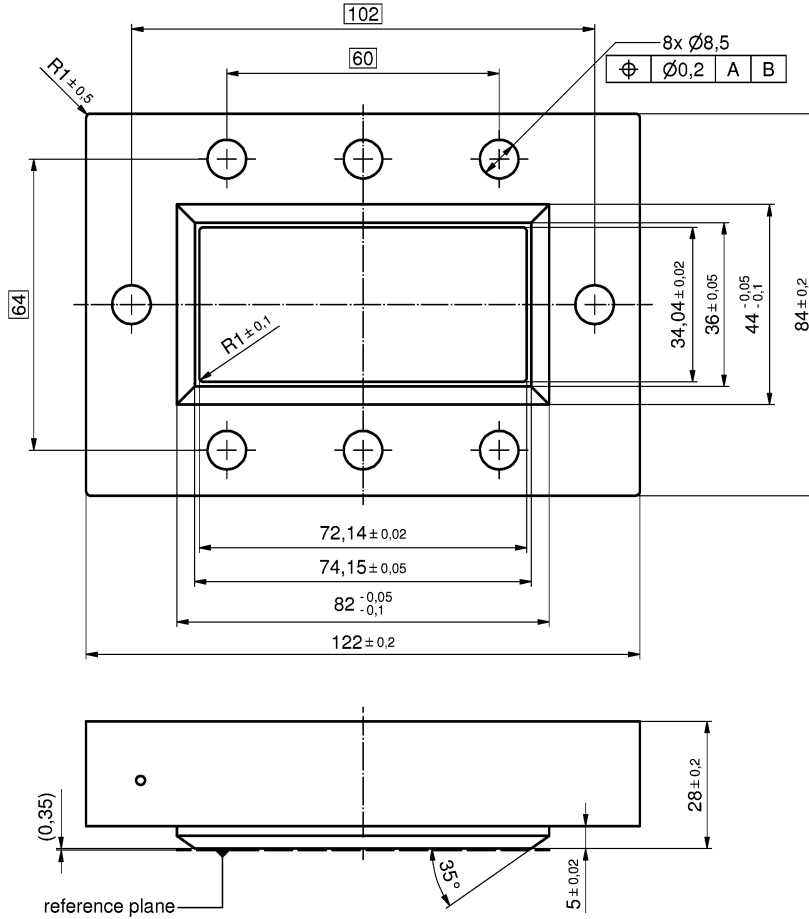
SPINNER GmbH
 This document is proprietary to us.
 All rights reserved. Any use, transfer, or reproduction of this document
 or the know-how contained therein requires our express consent.

Template TD-000020

R 32 Waveguide-Coax Adaptor LIL to N-connector || BN 866645

Outline (all dimensions in millimeter)

LIL Flange



SPINNER GmbH
 This document is proprietary to us.
 All rights reserved. Any use, transfer, or reproduction of this document
 or the know-how contained therein requires our express consent.