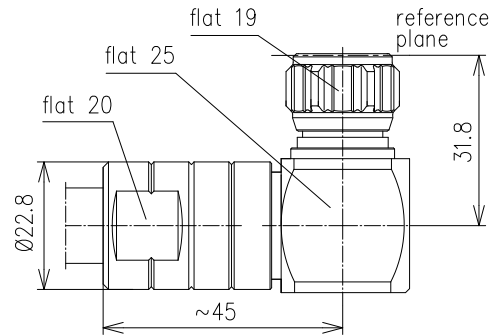


Right Angle Cable Plug for SF 1/2"-50, Type 7-16 || BN 870156



all dimensions in millimeter



|   |   |                      |
|---|---|----------------------|
| Interface type                            | N plug (50 Ω) per IEC 61169-16  |                      |
| Version                                   | CAF®  |                      |
| Frequency range                           | DC to 3.8 GHz   |                      |
| VSWR, max.                                | 1.02 @ DC to 1 GHz<br>1.04 @ 1 to 2.2 GHz<br>1.06 @ 2.2 to 2.7 GHz<br>1.13 @ 2.7 to 3.8 GHz |                      |
| Inner conductor material / surface finish | copper alloy / gold plated<br>copper alloy / silver plated                                  |                      |
| Outer conductor material / surface finish | copper alloy / silver plated  |                      |
| Other metal parts / surface finish        | copper alloy / bright nickel plated   |                      |
| Insulation                                | PTFE  |                      |
| Sealing                                   | silicone rubber   |                      |
| Degree of protection                      | IP68 per EN 60529 (barrier and mating face sealed)  |                      |
| Cable compatibility                       | RFS   | SCF 12-50, SCF 12-50 |
| Installation instructions                 | M30762  |                      |
| Weight, approx.                           | approx. 0.18 kg   |                      |
| Included in delivery                      | installation instructions   |                      |