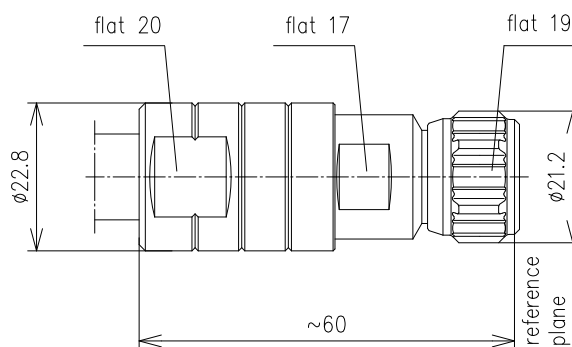


CABLE PLUG FOR SF 1/2"-50-TYPE N



Part number	BN 87 01 57		
Connector type	N plug		
Version	CAF®		
Impedance	50 Ω		
Frequency range	0 - 1 GHz	1 - 2.7 GHz	2.7 - 3.8 GHz
VSWR	≤ 1.02	≤ 1.03	≤ 1.08
Material and surface			
Inner conductor	copper alloy	silver-plated	
Outer conductor	copper alloy	silver-plated	
Other metal parts	copper alloy	bright nickel-plated	
Insulation	PTFE		
Sealing	silicone rubber		
Degree of protection	IP68 (mated)		
Cable compatibility	RFS	SCF 12-50	
Standards	IEC 61169-16		
Installation instructions	M30762		
Weight	approx. 0.1 kg		
Included in delivery	installation instructions		