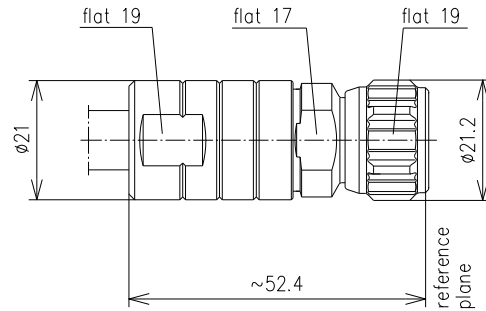


Cable Plug for cable SF 3/8"-50, Type N || BN 870165



all dimensions in millimeter

Interface type	N plug (50 Ω) per IEC 61169-16
Version	CAF®
VSWR, max.	1.02 @ DC to 1.0 GHz 1.03 @ 1.0 to 2.7 GHz 1.08 @ 2.7 to 3.8 GHz
Frequency range	DC to 3.8 GHz
Inner conductor material / surface finish	copper alloy / gold plated
Outer conductor material / surface finish	copper alloy / silver plated
Other metal parts / surface finish	copper alloy / nickel plated
Insulation	PTFE
Sealing	silicone rubber
IP protection level	IP68 per EN 60529 (barrier and mating face sealed)
Cable compatibility	RFS SCF 38-50
Installation instructions	M30783
Weight, approx.	90 g
Included in delivery	installation instructions

This document is proprietary to us. All rights reserved. Any use, transfer, or reproduction of this document or the know-how contained therein requires our express consent.

SPINNER GmbH
 Template TD-00003F