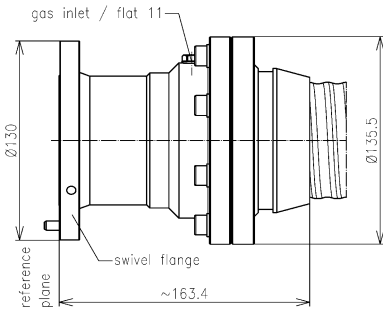


Cable Socket 3 1/8" EIA for HCA300-50 || BN 930072



all dimensions in millimeter

SPINNER GmbH
 This document is proprietary to us.
 All rights reserved. Any use, transfer, or reproduction of this document
 or the know-how contained therein requires our express consent.

Interface type	3 1/8" EIA (50 ohms) per 339 IEC 50-80	
Frequency range	DC to 1.64 GHz	
VSWR, max.	1.02 @ DC to 1.00 GHz 1.04 @ 1.00 to 1.64 GHz	
Peak power capability	640 kW	
Average power capability*	11.6 kW @ 960 MHz	
Proof voltage, max.	16 kV	
Inner conductor material / surface finish	copper alloy / silver plated	
Outer conductor material / surface finish	copper alloy / Cu-Sn-Zn plated	
Other metal parts / surface finish	copper alloy / bright nickel plated stainless steel / untreated	
Insulation	PTFE	
Sealing	silicone rubber	
Degree of protection	IP 68 (pressure-tight up to 4 bar / 400 kPa)	
Cable compatibility	RFS	HCA300-50
Handling instructions	M36532	
Weight, approx.	4.5 kg	
Operating temperature range	-40°C to +85°C	
Storage temperature range	-70°C to +85°C	
Gas inlet	NPT 1/8"	
Included in delivery	cover, sealing, installation instruction	

*at 40°C ambient temperature