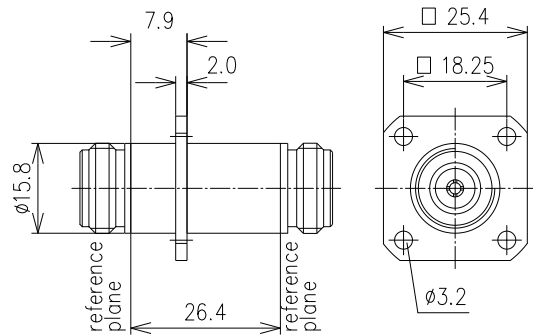


FIXED ADAPTOR TYPE N



Part number	BN 94 49 51			
Connector type	N socket / N socket			
Version	4-hole panel mounting			
Impedance	50 Ω			
Frequency range	0 - 1 GHz	1 - 2 GHz	2 - 4 GHz	4 - 11 GHz
VSWR	≤ 1.02	≤ 1.04	≤ 1.1	≤ 1.3
Material and surface				
Inner conductor	copper alloy		silver-plated	
Outer conductor	copper alloy		silver-plated	
Insulation	PTFE			
Degree of protection	IP68 (mated)			
Standards	IEC 61169-16			
Weight	approx. 0.06 kg			