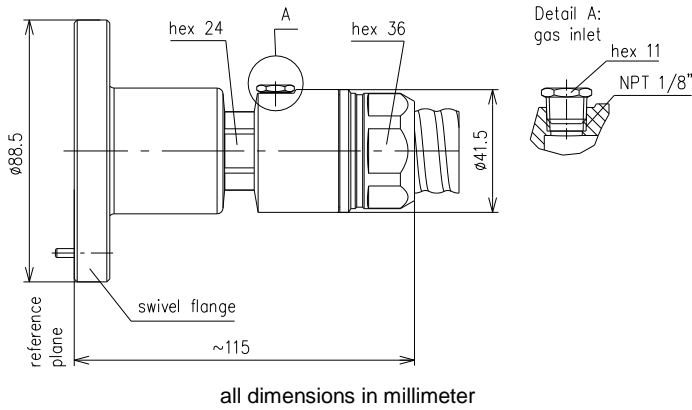


Cable Connector 1 5/8" EIA for Air Dielectric Cable 7/8" || BN 978980



Interface type	1 5/8" EIA (50 ohms) per 339 IEC 50-40-2/3	
Frequency range	DC to 3 GHz	
VSWR, max.	1.02 @ DC to 1 GHz 1.03 @ 1 to 2.2 GHz 1.08 @ 2.2 to 3 GHz	
Peak power capability	90 kW	
Average power capability	2.22 kW @ 960 MHz	
Proof voltage, max.	6 kV	
Inner conductor material / surface finish	copper alloy / silver plated	
Outer conductor material / surface finish	copper alloy / silver plated	
Other metal parts / surface finish	copper alloy / bright nickel plated stainless steel / untreated	
Insulation	PTFE	
Sealing	silicone rubber	
Degree of protection	IP 68 (pressure-tight up to 4 bar / 400 kPa)	
Cable compatibility	CommScope	HJ5-50
Handling instructions	M36267	
Weight, approx.	0.85 kg	
Operating temperature range	-40°C to +85°C	
Storage temperature range	-70°C to +85°C	
Gas inlet	NPT 1/8"	
Included in delivery	Protective cap, cover, sealing, installation instruction	